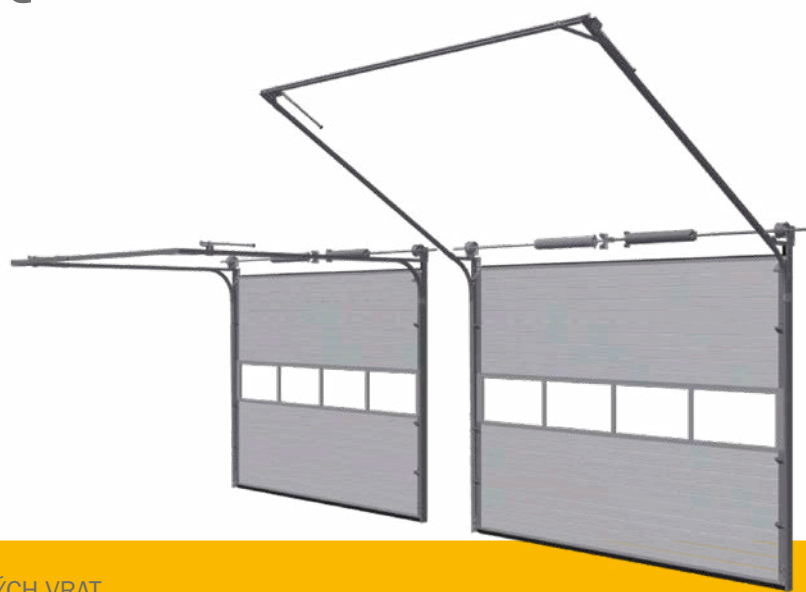


NA VRATECH ZÁLEŽÍ




Montážní návod
Installation Manual
Montage Anleitung

Standard Lift



TJMI **TJMI** **TJMI**
TJMI **TJMI** **TJMI**
TJMI **TJMI** **TJMI**

VÝROBA GARÁŽOVÝCH A PRŮMYSLVÝCH VRAT

English..... 3
 Deutsch 8
 Český 38
 43




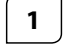


Index





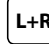
1. Terms and conditions 3
 2. Symbols 3
 3. General warnings 3
 4. Safety requirements 3
 5. Guidelines 4
 6. Fixing material building 4
 7. Trackset assembly 4
 8. Panel assembly 4
 9. Application Range 4
 10. Handover 5
 11. First use 5
 12. Electric operator (optional) 5
 13. Operator settings 5
 14. Disassembly 5
 15. Disposal 5
 16. Maintenance / Warnings 6
 17. Replacements of Parts 7
 18. Fasteners and tools 43
 19. Assembly 45

1. Terms and conditions

Our general conditions of delivery and payments are applicable on all our offers, agreements or subsequent revisions. A copy of our terms and conditions are available on request or can be downloaded from our website: www.doco-international.com

2. Symbols

-  Danger / Attention
-  Look / Check
-  Consult manual
-  Mandatory step
-  Optional step
-  Manual operation

-  Electrical operation
-  Chain hoist operation
-  Alternative step
-  Door Processing Document
-  Left + right

3. General warnings

This manual has been prepared for use by qualified personnel and therefore not by trainees or “do it yourselves” In case of doubt about the assembly and/or maintenance, please contact DOCO International To avoid severe personal injury, carefully read and observe all indications and warnings in this manual.

- This manual describes the assembly, use and maintenance of your industrial door; this may be supplemented by other manuals, for instance the spring break device manual and operator manual (if applicable.)
- This industrial system has been designed in accordance with the latest European standards; however you have to check yourself whether this standard corresponds with the local national standard.
- All measurements are in millimeters unless otherwise specified.
- After installation ensure that the CE marking label has been completed and attached.
- Keep this manual in a safe place, near to the industrial door.
- Subject to technical changes, without written notice.

4. Safety requirements

- This industrial door system may only be mounted, connected and put into operation by qualified personnel.
- Make sure that the power is switched off and remains switched off while electrical work is carried out!
- Never bridge safety devices!
- Adding or leaving out parts can affect the door operation in a negative way and therefore the safety of the installed sectional door. This is therefore strongly discouraged!
- Some parts can contain sharp edges: use protective gloves.
All references to the door/component handing within this manual is always as viewed from inside looking out.

- Never use the sectional door in case of visual damage, especially cables and safety devices.
- When performing assembly/maintenance, always wear at least gloves and safety boots and during drilling/cutting wear safety goggles!
- Make sure that you can always perform your work in a stable environment.
- Secure the assembly/maintenance site with safety ribbon to keep others (children!) at a distance.
- Maintenance must only be performed by a qualified installation company and/or qualified personnel.
- Make sure there is enough light.
- Only use appropriate tools, especially when tensioning the torsion springs.

5. Guidelines



DOCO International had carried out the "Product Test" of this door (Initial Type Testing = ITT) by the SP institute in Sweden, known as Notified Body No. 0402.

Documents regarding this ITT can, in consultation with DOCO, be transferred to the company which produces the door. This is necessary to complete the Technical File.

NOTE: CE-approved only using the correct DOCO-components.

⚠ It is the responsibility of the installation company to ensure that the chosen E-operator and panels are according to the product standard EN13241-1 and have carried out the necessary ITT.

If a wicket door is to be installed, it is the responsibility of the installation company to ensure that the complete door conforms to the product standard EN13241-1 and have carried out the necessary ITT.

6. Fixing material building

⚠ The necessary fixings to ensure the Industrial Door System door to the building and/or ceiling, are not included! It is the responsibility of the installer to make sure that the building structure is safe/strong enough, to accept the door and its fixings. The installer is also responsible for using the correct fixing materials on the right foundation (stone, concrete, steel, wood). In the image section there will be therefore no specification included.

Door weight for roofload: 510 N/m²

Using doorblads between 7-14 kg/m²

7. Trackset assembly

When you received a trackset kit you can skip this

section. When you build your own trackset follow next construction guideline:

Drilling:

⚠ Use M8 bolt (14010 or 14023) and nuts (14022 or 14013) every 650 mm (max.) between below connections, predrill Ø8,5mm:

Vertical Trackset: connection between, Vertical Angle 290030-series and Track 22000-series.

Horizontal Trackset: connection between, Curve 215091-series and C-track 220016-series.

Connection between vertical angle 290030-series and connection brackets 235300 - 235307

Use 1 M8 bolts / nuts (as above) between track and connection bracket and 1 M8 bolts / nuts (as above) spread out between Vertical angle and connection bracket.

More information see: Technical Production Book

Riveting:

⚠ Minimum rivet size: 5mm, every 650 mm (max.) between below connections.

Rivets need to fixed in accordance with the instructions / manual of the rivet equipment.

Vertical Trackset: connection between, Vertical Angle 290030-series and Track 22000-series.

Horizontal Trackset: connection between, Curve 215090-series and C-track 220016-series.

Connection between vertical angle 290030-series and connection brackets 235300 - 235307.

Use 1 rivet (as above) between track and connection bracket and 2 rivets (as above) spread out between Vertical angle and connection bracket.

More information see: Technical Production Book

8. Panel assembly

The panels need to be assembled according the Industrial Panel Assembly Manual

9. Application Range

This hardware set has been developed for commercial use

SL

Maximum width

8500 mm

Maximum height

7000 mm

Maximum door leaf area

48 m²

Max door leaf weight

660 kg

Maximum temperature range outside*

-20 °C / +50 °C

Relative humidity

5 - 90%

* Big differences in temperature between the inside and outside can cause deflection in the panel sections (bi-metal effect). In particular dark colored panels are susceptible to this problem and should be avoided. Care should be taken during manual handling as there is a big risk of damage.

10. Handover

Handover the following documents to the end user:

- This manual (assembly, maintenance and disassembly)
- User manual
- Service logbook
- Declaration of Performance (DoP)
- Declaration of Conformity (DoC), only in case of a Power operated door
- Inform the end user how to handle in case of malfunctions

11. First use

The first use of the Industrial Door System has to be carried out by the installer. After that ALL users need to be instructed. For more information refer to the user manual.

12. Electric operator (optional)

Mount the operator according the supplier's manual.

NOTE: In case of power failure it should be possible to unlock the door using the emergency release from the operator. The door leaf may only in that case, be operated with a handle. If there is no second entrance to the garage, we recommend an external release lock (art 280004) be fitted. Do not fit a pull cord, shoot bolt or lock to an electrically operated door. Ensure that the horizontal tracks are long enough for the electrically operator, this is with reference to the operator drawbar. In the event that the tracks are too short, a longer horizontal track kit should be used.

13. Operator settings

Adjustment to the operator should be carried out in accordance with the operator manufacturers manual.

Please note that our hardware kits have been CE approved for use with the operators specified in our ITT report and enclosure B. Should a different operator be chosen, then the installer must carry out a peak force analysis in accordance with EN 12445 and EN 12453.

14. Disassembly

Disassembly should be only carried out by an qualified industrial door company / installer.

The door should be disassembled in the reverse sequence to the assembly manual.

15. Disposal

All parts of this Industrial Door System can be easily disposed of.

Please consult your local authorities on this matter.

Procedure:

- Release tension of the torsion springs!
 - Insert the 1st tensioning bar into the tensioning head
 - Keep a good grip on the 1st tensioning bar and carefully undo the bolts on the tensioning head and transfer the spring tension.
 - Now place the 2nd tensioning bar in the next hole of the spring plug and carefully release the spring. The spring is released from top to bottom.
 - Again, fit the 1st tensioning bar to the spring plug and release.
 - Repeat steps 3-4 until the spring is released.
 - Repeat steps 1-4 for the other spring (springs).
- Remove the electrical operator, according the manual of the electrical operator
- Release the bolts in the cable drums and remove the steel cables from the cable drums. Be careful for any remaining tension in the cables, check if the cables are slack!
- Remove the power-unit. Do this by first removing the coupler and then carefully sliding both shaft halves out of the bearing plates. Be aware that components may slide along the shaft!
- Remove the panel sections from top to bottom. Achieve this by removing the roller holders and centre hinges.
- Remove the horizontal trackset
- Remove the vertical trackset

16. Maintenance / Warnings

In accordance with EU standards, Industrial door systems should be maintained and checked regularly, from the first time of use, based on the indicated service by the installer. Maintenance needs to be recorded written. **Maintenance should be only carried out by a qualified industrial door company / installer.**

Brackets and other components which are attached to Torsion Springs and Cables are under extreme tension. Tensioned springs carry a high tension; always be very careful, and make sure the tensioning bar (# 12025) are well maintained and use the right side of the bar (depends on used spring plug). When checking the industrial door system, always disconnected the electrical main power supply and make sure that it is blocked against re-engaging without you knowing it.

Directly after installation (By Installer):

- Lubricate the running part of the tracks (advice: PTFE)
- Lubricate bearings and the shaft of the rollers (advice: PTFE)
- Lubricate pins of the hinges from intermediate- and side-hinges (advice: PTFE)
- Lubricate the bearing of the shaft (advice: PTFE)
- Lubricate sealing rubbers (advice: special rubber grease or vasaline)

After 3 months (By Installer):

- Check balancing system / Re-tensioning springs (relaxation springs)
- Complete visual inspection

Every 6 months (By User):

- Check side seals, Top seal and Bottom Seal on damage or wear and tear
- Lubricate the running part of the tracks (advice: PTFE)
- Lubricate bearings and the shaft of the rollers (advice: PTFE)
- Lubricate pins of the hinges from intermediate- and side-hinges (advice: PTFE spray)
- Lubricate sealing rubbers (advice: special rubber grease or vasaline)
- Clean the panels (advice: shampoo for car cleaning with water), do not use aggressive detergents
- Wax the panels (advice: car wax)
- Remove dirt from the door and surroundings

Every 12 months or every 7500 door cycles (By Installer):

- Check the cables and the end connections from the cable on damages or wear and tear
- Check the cable connection points on bottom bracket or cable break device and Cable drum
- Check the spring break devices in accordance with separate manual
- Check the position of the ratched wheel
- Check the function of the catcher
- Check the bolt and screws connection of the SBD

- Check the Cable Brack Device in accordance with the sepearte manual
- Check the function of the Cable Break Device
- Check position of the knife of the Cable Break Device
- Check the position of the hinge pin
- Check the balance of the door and adjust if needed / check the manual operation
- Check the hinges on breaking and wear and tear
- Check the Pulley system (if present) for damages or wear and tear
- Check or test the fixations of the springs to the spring plugs
- Check the rollers or damages or wear and tear and free moving space
- Check the closing forces of the main closing edge (Only if Electrical Operation an Not Deadman function)
- Check the suspension from the horizontal track to the ceiling
- Check the suspension profiles on breaking or damages
- Check the bolt and nut connection
- Check side seals, Top seal and Bottom Seal on damage or wear and tear
- Check the panels on damage, wear and tear
- Lubricate torsion springs, bearings of rollers, running parts of the track and bearing on the shaft

Every 24 months or every 15000 door cycles (By Installer):

- Check the cables and the end connections from the cable on damages or wear and tear
- Check the cable connection points on bottom bracket or cable break device and Cable drum
- Check the spring break devices in accordance with separate manual
- Check the position of the ratched wheel
- Check the function of the catcher
- Check the bolt and screws connection of the SBD
- Check the Cable Brack Device in accordance with the sepearte manual
- Check the function of the Cable Break Device
- Check position of the knife of the Cable Break Device
- Check the position of the hinge pin
- Check the balance of the door and adjust if needed / check the manual operation
- Check the hinges on breaking and wear and tear
- Check the Pulley system (if present) for damages or wear and tear
- Check or test the fixations of the springs to the spring plugs
- Check the rollers or damages or wear and tear and free moving space
- Check the closing forces of the main closing edge (Only if Electrical Operation an Not Deadman function)
- Check the suspension from the horizontal track to the ceiling
- Check the suspension profiles on breaking or damages
- Check the bolt and nut connection
- Check the shaft on damages and wear and tear
- Check the connection of the trackset

- Check and re-fix the bolt of the coupler
- Check side seals, Top seal and Bottom Seal on damage or wear and tear
- Check the panels on damage, wear and tear
- Lubricate torsion springs, bearings of rollers, running parts of the track and bearing on the shaft

17. Replacements of Parts

Only use Original DOCO spare parts!

Maintenance should be only carried out by a qualified industrial door company / installer.

After Spring Break:

See instructions separate manual (or download the manual: www.doco-international.com)

- Replace the springs and the Spring Break Device
- Check the shaft on damages and replace if necessary

After Cable Break:

See instructions separate manual (or download the manual: www.doco-international.com)

- Replace cable with connection
- Replace the complete Cable Break Device
- Check tracks and service or replace the tracks

Inhalt




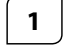

1. Geschäftsbedingungen	8
2. Symbole	8
3. Allgemeine Warnhinweise	8
4. Sicherheitsbestimmungen	8
5. Guidelines	9
6. Befestigungsmaterial für die Konstruktion	9
7. Montage des Laufschiensatzes	9
8. Montage der Paneele	10
9. Einsatzbereich	10
10. Übergabe	10
11. Inbetriebnahme	10
12. Elektroantrieb (optional)	10
13. Einstellungen der Steuerung	10
14. Demontage	10
15. Entsorgung	10
16. Wartung und Warnhinweise	11
17. Austausch von Komponenten	12
18. Befestigungsmittel und Werkzeuge	43
19. Montage	45

1. Geschäftsbedingungen

Für unsere gesamten Angebote, Verträge und späteren Änderungen gelten unsere allgemeinen Liefer- und Zahlungsbedingungen. Unsere Geschäftsbedingungen sind auf Anfrage erhältlich bzw. können auf unserer Website heruntergeladen werden.

www.doco-international.com

2. Symbole


-  Gefahr / Achtung
-  Ansehen / kontrollieren
-  Anleitung beachten
-  Verpflichteter Schritt
-  Option

 Handbetrieb

 Elektroantrieb

 Haspelkettenantrieb

 Alternativer Schritt

 Door Processing Document

 Links + rechts

3. Allgemeine Warnhinweise

Diese Montage- und Wartungsanleitung richtet sich an qualifizierte Fachkräfte und nicht an Auszubildende oder Heimwerker. Die für die Montage, Demontage, Wartung oder Inbetriebnahme des Industrietors verantwortlichen Personen müssen diese Montage- und Wartungsanleitung sorgfältig durchlesen, verstehen und befolgen. Damit es nicht zu schweren Verletzungen von Personen kommt, müssen sämtliche Hinweise und Warnungen in dieser Montage- und Wartungsanleitung aufmerksam gelesen und beachtet werden.

- In dieser Montage- und Wartungsanleitung wird die Montage, Demontage und Wartung des Industrietors beschrieben. Ergänzend dazu gelten gegebenenfalls weitere Anleitungen, beispielsweise die Bedienungsanleitungen für Federbruch- oder Seilbruchsicherungen bzw. die Bedienungsanleitung für den Torantrieb.
- Das Industrietor entspricht den aktuellen EU-Normen. Sie müssen allerdings kontrollieren, ob mit diesen Vorgaben auch die bei Ihnen geltenden nationalen Normen erfüllt werden.
- Längenmaße sind – wenn nicht anders vermerkt – in Millimeter angegeben.
- Achten Sie darauf, dass die CE-Kennzeichnung nach der Montage ausgefüllt und angebracht wird.
- Bewahren Sie diese Montage- und Wartungsanleitung an einem sicheren Ort in der Nähe des Industrietors auf.
- Technische Änderungen ohne schriftliche Ankündigung vorbehalten.

4. Sicherheitsbestimmungen

- Das Industrietor darf ausschließlich von qualifizierten Fachkräften montiert, eingebaut, in Betrieb genommen und gewartet werden.
- Bei elektrotechnischen Arbeiten ist die Stromversorgung abzuschalten!
- Schutzvorrichtungen nicht überbrücken!

- Der Einbau zusätzlicher Komponenten oder der Verzicht auf notwendige Komponenten kann die Funktionsfähigkeit des montierten Sektionaltors und damit dessen Sicherheit gefährden. Deshalb ist davon dringend abzuraten.
- Einige Komponenten haben scharfe Kanten: Schutzhandschuhe tragen.
- Angaben in dieser Montage- und Wartungsanleitung zum Umgang mit dem Industrietor und dessen Komponenten erfolgen immer von einem Standpunkt innen mit Blick nach draußen.
- Bei sichtbaren Schäden, insbesondere von Drahtseilen und Schutzvorrichtungen, darf das Industrietor nicht betätigt werden.
- Bei der Montage/Wartung zumindest Handschuhe und Sicherheitsschuhe tragen, beim Bohren/Schneiden Schutzbrille tragen.
- Arbeiten nur in sicherer Umgebung durchführen.
- Montage-/Wartungsbereich mit Absperrband sichern, um den erforderlichen Sicherheitsabstand herzustellen.
- Wartungsarbeiten dürfen ausschließlich von einer qualifizierten Montagefirma bzw. von qualifizierten Fachkräften durchgeführt werden.
- Für ausreichende Beleuchtung sorgen.
- Nur geeignetes Werkzeug verwenden, insbesondere beim Spannen der Torsionsfedern.


5. Guidelines



DOCO International hat die „Produktprüfung“ bzw. Erstprüfung dieses Industrietors (Initial Type Testing – ITT) vom schwedischen SP-Institut durchführen lassen. Dabei handelt es sich um die benannte Stelle Nr. 0402.


Unterlagen bezüglich dieser Erstprüfung können nach Absprache mit DOCO dem jeweiligen Industrietor-Hersteller übergeben werden. Dies ist für die Erstellung der technischen Dokumentation notwendig.

Hinweis: Die CE-Kennzeichnung gilt nur bei Verwendung der richtigen DOCO-Komponenten.

 Die Montagefirma ist dafür verantwortlich, dass der verwendete Elektroantrieb und die verwendeten Paneele der Produktnorm EN 13241-1 entsprechen und die erforderlichen Erstprüfungen durchgeführt wurden.

Bei der Montage einer Schlupftür ist die Montagefirma dafür verantwortlich, dass das gesamte Industrietor der Produktnorm EN 13241-1 entspricht und die erforderlichen Erstprüfungen durchgeführt wurden.

6. Befestigungsmaterial für die Konstruktion

 The necessary fixings to ensure the Industrial Door System door to the building and/or ceiling, are not included! It is the responsibility of the installer to make sure that the building structure is safe/strong enough, to accept the door and its fixings. The installer is also responsible for using the correct fixing materials on the right foundation (stone, concrete, steel, wood). In the image section there will be therefore no specification included.

Door weight for roofload: 510 N/m²


Using doorblads between 7-14 kg/m²

7. Montage des Laufschiensatzes

Wenn Sie einen Laufschiensatz erhalten haben, können Sie diesen Abschnitt überspringen.

Wenn Sie den Laufschiensatz selber zusammenbauen, gehen Sie folgendermaßen vor:

Bohren:


 M8-Schrauben (14010 oder 14023) und Muttern (14022 oder 14013) alle 650 mm (max.) für folgende Verbindungen verwenden, Ø8,5 mm vorbohren:

Vertikaler Laufschiensatz: Verbindung zwischen Winkelzarge (290030) und Laufschiene (22000)


Horizontaler Laufschiensatz: Verbindung zwischen Bogen (215091) und C-Profil (220016)

Verbindung zwischen Winkelzarge (290030) und Anschlussplatten (235300 bzw. 235307)

1 M8-Schraube/-Mutter (wie oben) zwischen Laufschiene und Anschlussplatte einsetzen und 1 M8-Schraube/-Mutter (wie oben) zwischen Winkelzarge und Anschlussplatte.

 Weitere Informationen siehe: Handbuch zur technischen Fertigung

Vernietung:

 Mindestgröße Niet = 5 mm, alle 650 mm (max.) zwischen folgenden Verbindungen.

Die Vernietung muss entsprechend den Anweisungen/der Bedienungsanleitung der jeweiligen Nietwerkzeuge durchgeführt werden.

Vertikaler Laufschiensatz: Verbindung zwischen Winkelzarge (290030) und Laufschiene (22000)


Horizontaler Laufschiensatz: Verbindung zwischen Bogen (215091) und C-Profil (220016)

Verbindung zwischen Winkelzarge (290030) und


DE

Anschlussplatten (235300 bzw. 235307)

1 Niet (wie oben) zwischen Laufschiene und Anschlussplatte einsetzen und 2 Nieten (wie oben) zwischen Winkelzarge und Anschlussplatte.

 Weitere Informationen siehe: Handbuch zur technischen Fertigung

8. Montage der Paneele

 Die Paneele sind entsprechend der Montageanleitung für Industriepaneele zu montieren

9. Einsatzbereich

Dieser Einbausatz ist zur gewerblichen Nutzung bestimmt

SL
Max. Breite
8500 mm
Max. Höhe
7000 mm
Max. Torblatt-Fläche
48 m ²
Max. Torblatt -Gewicht
660 kg
Max. Temperaturbereich außen*
-20 °C / +50 °C
Relative Luftfeuchtigkeit
5 - 90%

* Große Temperaturunterschiede zwischen Innen- und Außenbereich können zu Verformungen der Paneele führen (Bimetall-Effekt). Dieses Problem tritt insbesondere bei Paneelen mit dunkler Farbe auf. Deshalb wird von der Verwendung derartiger Paneele abgeraten. Wegen Beschädigungsgefahr ist bei manueller Bedienung besondere Vorsicht geboten!

10. Übergabe

- Folgende Unterlagen sind dem Endbenutzer zu übergeben:
- Die vorliegende Montage- und Wartungsanleitung (Montage, Wartung und Demontage)
- Betriebsanleitung
- Wartungsbuch
- Leistungserklärung
- Konformitätserklärung (nur bei Toren mit Elektroantrieb)

11. Inbetriebnahme

Die Inbetriebnahme des Industrietors muss vom Monteur vorgenommen werden. Anschließend sind ALLE Benutzer einzuweisen. Weitere Informationen – siehe Betriebsanleitung.

12. Elektroantrieb (optional)

Den Antrieb entsprechend der Montageanleitung des Lieferanten montieren.

Hinweis:

Bei Stromausfall sollte es möglich sein, das Tor mithilfe der Notentriegelung des Antriebs zu entriegeln. Der Torflügel darf nur in diesem Fall mithilfe eines Griffs bewegt werden. An ein elektrisch betriebenes Tor dürfen keine Zugschnur, keine Verriegelung und kein Schloss angebracht werden, es sei denn, die Verriegelung bzw. das Schloss verfügen über einen Notschalter.

13. Einstellungen der Steuerung

Die Einstellungen der Steuerung erfolgen anhand der Bedienungsanleitung des jeweiligen Herstellers.

Bitte beachten Sie: Unsere Bausätze besitzen die CE-Kennzeichnung für die Nutzung mit den in unserem Erstprüfungsbericht beschriebenen Torantrieben. Bei Verwendung eines anderen Antriebs hat der Monteur einen Spitzenbelastungstest gemäß EN 12445 und EN 12453 durchzuführen.

14. Demontage

Die Demontage darf ausschließlich von einem qualifizierten, auf Industrietore spezialisierten Unternehmen/Monteur durchgeführt werden. Zur Demontage des Industrietors werden die in der Montageanleitung beschriebenen Schritte in umgekehrter Reihenfolge ausgeführt.

15. Entsorgung

Alle Komponenten des Industrietors können problemlos entsorgt werden. Wenden Sie sich diesbezüglich an die zuständigen Stellen.

Verfahren:

- ntspannen der Torsionsfedern.
 - Die erste Spannstange in den Spannkopf einführen.
 - Die erste Spannstange gut festhalten, vorsichtig die Schrauben am Spannkopf lösen und die Federspannung übertragen.
 - Jetzt die zweite Spannstange in das nächste Loch des Federkopfs einführen und

vorsichtig die Feder entspannen. Die Feder wird von oben nach unten entspannt.

- Die erste Spannstange erneut in den Federkopf einführen und Spannung reduzieren.
- Schritte 3–4 wiederholen, bis die Feder entspannt ist.
- Schritte 1–4 für die andere(n) Feder(n) wiederholen.
- Den Elektroantrieb entsprechend der jeweiligen Bedienungsanleitung abnehmen.
- Die Schrauben an den Seiltrommeln lösen und die Drahtseile von den Seiltrommeln entfernen. Vorsicht! Drahtseile stehen eventuell noch unter Spannung. Achten Sie darauf, dass die Drahtseile entspannt sind.
- Abnehmen der Stromversorgungseinheit. Zunächst die Kupplung abnehmen und dann vorsichtig beide Wellenhälften aus den Grundplatten herauschieben. Beachten Sie, dass Komponenten entlang der Welle verrutschen können.
- Paneele von oben nach unten abnehmen. Hierfür die Laufrollenhalterungen und Mittelscharniere entfernen.
- Den horizontalen Laufschiensatz abnehmen.
- Den vertikalen Laufschiensatz abnehmen.

16. Wartung und Warnhinweise

Im Einklang mit EU-Normen ist das Industrietor ab der ersten Inbetriebnahme gemäß dem vom Monteur vorgegebenen Serviceplan regelmäßig zu warten und zu kontrollieren. Durchgeführte Wartungsarbeiten sind schriftlich festzuhalten. Wartungsarbeiten dürfen – soweit nicht anders vermerkt – ausschließlich von einem qualifizierten, auf Industrietore spezialisierten Unternehmen/Monteur durchgeführt werden.

Konsolen und andere mit den Torsionsfedern und Drahtseilen verbundene Komponenten stehen unter extrem starker Spannung. Vorsicht beim Umgang mit gespannten Federn: Sie stehen unter starker Spannung. Die Spannstange (12025) muss einwandfrei gewartet sein und mit der richtigen Seite verwendet werden (je nach verwendetem Federkopf). Bei der Überprüfung des Industrietors ist immer die Hauptstromversorgung abzuschalten und gegen versehentliches Wiedereinschalten zu sichern.

Unmittelbar nach der Montage (Durch Monteur):

- Lauffläche der Laufschiene schmieren (Empfehlung: PTFE)
- Lager und Laufrollenwelle schmieren (Empfehlung: PTFE)
- Stifte der Mittel- und Seitenscharniere schmieren (Empfehlung: PTFE)
- Wellenlager schmieren (Empfehlung: PTFE)

- Dichtungsgummis schmieren (Empfehlung: spezielles Dichtungsfett oder Vaseline)

Nach 3 Monaten (Durch Monteur):

- Gegengewichtssystem prüfen, Nachspannen der Federn (Entspannen der Federn).
- Komplette Sichtprüfung

Nach 6 Monaten (Durch Benutzer):

- Seitendichtungen, Top- und Bodendichtung auf Beschädigung und Abnutzung prüfen
- Lauffläche der Laufschiene schmieren (Empfehlung: PTFE)
- Lager und Laufrollenwelle schmieren (Empfehlung: PTFE)
- Stifte der Mittel- und Seitenscharniere schmieren (Empfehlung: PTFE-Spray)
- Dichtungsgummis schmieren (Empfehlung: spezielles Dichtungsfett oder Talkum)
- Paneele reinigen (Empfehlung: Shampoo zur Fahrzeugreinigung und Wasser),
- Keine aggressiven Reiniger verwenden.
- Paneele wachsen (Empfehlung: Fahrzeugwachs)
- Schmutz vom Tor und aus dem Umgebungsbereich entfernen.

Alle 12 Monate bzw. nach jeweils 7500 Öffnungs-/Schließzyklen (Durch Monteur):

- Drahtseile und deren Endanschlüsse auf Abnutzung und Beschädigung prüfen
- Anschlussstellen der Drahtseile an die Bodenkonsole bzw. die Seilbruchsicherung sowie Seiltrommel prüfen
- Federbruchsicherung entsprechend separater Bedienungsanleitung prüfen
 - Position des Sperrrads prüfen
 - Funktionsfähigkeit der Sicherung prüfen
 - Bolzen- und Schraubenverbindungen der Federbruchsicherung prüfen
- Seilbruchsicherung entsprechend separater Bedienungsanleitung prüfen
 - Funktionsfähigkeit der Seilbruchsicherung prüfen
 - Position des Messers der Seilbruchsicherung prüfen
 - Position des Scharnierbolzens prüfen
- Ausrichtung des Tores überprüfen und ggf. nachjustieren/manuelle Bedienung prüfen
- Scharniere auf Beschädigung und Abnutzung prüfen
- Rollensystem (wenn vorhanden) auf Beschädigung und Abnutzung prüfen
- Die Befestigungen der Federn an den Federköpfen prüfen oder testen
- Rollen auf Beschädigung und Abnutzung sowie auf ausreichenden Freiraum prüfen

DE

DE

- Schließkraft an der Hauptschließkante prüfen (nur, wenn der Elektroantrieb nicht durch Totmann-Betrieb erfolgt)
- Aufhängung der horizontalen Laufschiene an der Decke prüfen Durch Monteur
 - Aufhängungsprofile auf Bruchstellen und Beschädigung prüfen Durch Monteur
 - Schrauben-Muttern-Verbindungen prüfen (Durch Monteur)
- Seitendichtungen, Top- und Bodendichtung auf Beschädigung oder Abnutzung prüfen (Durch Monteur)
- Paneele auf Beschädigung und Abnutzung prüfen Durch Monteur
- Torsionsfedern, Laufrollenlager, bewegliche Komponenten der Laufschiene und Wellenlager schmieren (Durch Monteur)

Alle 24 Monate bzw. nach jeweils 15000 Öffnungs-/Schließzyklen (Durch Monteur):

- Drahtseile und deren Endanschlüsse auf Abnutzung und Beschädigung prüfen
- Anschlussstellen der Drahtseile an die Bodenkonsole bzw. die Seilbruchsicherung sowie Seiltrommel prüfen
- Federbruchsicherung entsprechend separater Bedienungsanleitung prüfen
 - Position des Sperrrads prüfen
 - Funktionsfähigkeit der Sicherung prüfen
 - Bolzen- und Schraubenverbindungen der Federbruchsicherung prüfen
- Seilbruchsicherung entsprechend separater Bedienungsanleitung prüfen
 - Funktionsfähigkeit der Seilbruchsicherung prüfen
 - Position des Messers der Seilbruchsicherung prüfen
 - Position des Scharnierbolzens prüfen
- Ausrichtung der Tür überprüfen und ggf. nachjustieren/manuelle Bedienung prüfen
- Scharniere auf Beschädigung und Abnutzung prüfen
- Rollensystem (wenn vorhanden) auf Beschädigung und Abnutzung prüfen
- Die Befestigungen der Federn an den Federköpfen prüfen oder testen
- Rollen auf Beschädigung und Abnutzung sowie auf ausreichenden Freiraum prüfen
- Schließkraft an der Hauptschließkante prüfen (nur, wenn der Elektroantrieb nicht durch Totmann-Betrieb erfolgt)
- Aufhängung der horizontalen Laufschiene an der Decke prüfen
 - Aufhängungsprofile auf Bruchstellen und Beschädigung prüfen
 - Schrauben-Muttern-Verbindungen prüfen

- Welle auf Beschädigung und Abnutzung prüfen
- Anschluss der Laufschiene prüfen
- Kupplungsbolzen prüfen und wieder einsetzen
- Seitendichtungen, Top- und Bodendichtung auf Beschädigung und Abnutzung prüfen
- Paneele auf Beschädigung und Abnutzung prüfen
- Torsionsfedern, Laufrollenlager, bewegliche Komponenten der Laufschiene und Wellenlager schmieren

17. Austausch von Komponenten

Verwenden Sie ausschließlich Originalersatzteile von DOCO! Wartungsarbeiten dürfen ausschließlich von einem qualifizierten, auf Industrietore spezialisierten Unternehmen/ Monteur durchgeführt werden.

Bei Bruch einer Feder:

- Siehe separate Bedienungsanleitung (Bedienungsanleitung gegebenenfalls von unserer Website www.doco-international.com herunterladen)
- Federn und Federbruchsicherung austauschen
- Welle auf Beschädigung prüfen und ggf. austauschen

Bei Riss eines Drahtseils:

- Siehe separate Bedienungsanleitung (Bedienungsanleitung gegebenenfalls von unserer Website www.doco-international.com herunterladen)
- Drahtseil und entsprechenden Anschluss austauschen
- Seilbruchsicherung komplett austauschen
- Laufschiene prüfen und warten bzw. austauschen

Obsah





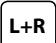
1. Všeobecné obchodní podmínky	38
2. Symboly	38
3. Obecná varování	38
4. Bezpečnostní předpoklady	38
5. Richtlijnen.....	39
6. Materiál pro upevnění ke stavbě	39
7. Montáž setu kolejnic.....	39
8. Montáž panelu	39
9. Rozsah použití	39
10. Předání.....	40
11. První použití	40
12. Elektrický pohon (volitelný)	40
13. Nastavení řídicí jednotky	40
14. Demontáž.....	40
15. Likvidace.....	40
16. Údržba a Varování.....	41
17. Výměna dílů.....	42

1. Všeobecné obchodní podmínky

Na veškeré naše nabídky, smlouvy či jejich následující změny se uplatní naše všeobecné podmínky dodání a úhrady. Kopie našich všeobecných obchodních podmínek je k dispozici na požádání nebo je lze stáhnout z našich webových stránek: www.doco-international.com

2. Symboly

-  Nebezpečí / pozor
-  Pohled / kontrola
-  Další návody
-  Povinný krok
-  Volitelný krok
-  Manuální ovládání

-  Ovládání elektrickým pohonem
-  Ovládání řetězovým kladkostrojem
-  Alternative step
-  Dokument o zpracování vrat
-  Vlevo + vpravo

3. Obecná varování

Tento návod byl vypracován pro použití kvalifikovanými osobami a tedy nikoliv učni nebo kutily. Osoby, které mají provádět montáž, demontáž, údržbu nebo uvádění systému vrat do provozu, jsou povinny si tento návod přečíst, pochopit a dodržovat. Aby se zabránilo závažnému osobnímu poranění, pečlivě si přečtěte a dodržujte veškeré pokyny a výstrahy uvedené v tomto návodu.


- Tento návod popisuje montáž, demontáž a údržbu vašeho Systému průmyslových vrat; ten může být doplněn o další návody, například návod pro pojistku při prasknutí pružiny, návod pro pojistku při prasknutí lana nebo návod k použití (v příslušných případech).
- Systém průmyslových vrat byl navržen v souladu s nejnovějšími evropskými normami; nicméně sami musíte zkontrolovat, zda taková norma odpovídá vašim místním národním normám.
- Není-li uvedeno jinak, veškeré rozměry jsou vyjádřeny v milimetrech.
- Po instalaci zajistěte, aby byl vyplněn a umístěn štítek označení CE.
- Tento návod uchovávejte na bezpečném místě v blízkosti průmyslových vrat.
- Podléhá technickým změnám bez písemného oznámení.

4. Bezpečnostní předpoklady

- Tento systém průmyslových vrat smí montovat, zapojovat nebo uvádět do provozu pouze kvalifikovaná osoba, které mohou provádět i jeho údržbu.
- Pokud provádíte zásahy do elektrického zařízení, zkontrolujte, zda je vypínač vypnutý a zajistěte, aby vypnutý zůstal!
- Bezpečnostní prvky nikdy neobcházejte!
- Přidávání nebo demontáž dílů může mít negativní vliv na provoz vrat a tím i bezpečnost nainstalovaných sekčních vrat. Takový postup zásadně nedoporučujeme!
- Některé díly mohou mít ostré hrany: používejte ochranné rukavice.


- Veškeré odkazy na manipulaci s vraty/komponenty jsou popisovány z pohledu zevnitř ven.
- Systém průmyslových vrat nepoužívejte v případě vizuálního poškození, zejména u lan a bezpečnostních zařízení.
- Při montáži/údržbě vždy používejte alespoň ochranné rukavice a bezpečnostní obuv a během vrtání/řezání také ochranné brýle!
- Zajistěte, abyste práci mohli vždy vykonávat ve stabilním prostředí.
- Prostor pro montáž/údržbu zajistěte bezpečnostní páskou, aby do prostoru nevstupovaly další osoby.
- Údržbu smí provádět pouze kvalifikovaná montážní společnost a/ nebo kvalifikované osoby.
- Zajistěte dostatečné osvětlení.
- Používejte pouze vhodné nástroje, zejména pak při napínání torzních pružin.

5. Richtlijnen


 DOCO International provedla „Produktový test“ těchto vrat (Testování úvodního typu = ITTr) prostřednictvím SP institute ve Švédsku, známém jako oznamovaný orgán č. 0402.

Dokumenty týkající se tohoto ITTr lze po konzultaci s DOCO předat společnosti vyrábějící vrata. Tyto jsou nezbytné pro vypracování technické dokumentace.

POZNÁMKA: Souhlas CE se vztahuje pouze na použití správných komponent DOCO.

 Montážní společnost je povinna zajistit, aby elektrický ovladač a panely odpovídaly normě výrobku EN13241-1 a aby u nich proběhly nezbytné ITTr. Mají-li být nainstalována vrata, je instalační společnost povinna zajistit, aby celá vrata odpovídala normě výrobku EN13241-1 a aby u nich proběhly nezbytné ITTr.

6. Materiál pro upevnění ke stavbě

 Nezbytný upevňovací materiál pro uchycení systému průmyslových vrat k budově a/nebo stropu není součástí dodávky!

Montážní společnost je povinna zajistit, aby byla stavební konstrukce bezpečná/dostatečně pevná pro upevnění vrat a spojovacího materiálu. Montážník je povinen používat správný spojovací materiál pro příslušný základ (kámen, beton, ocel, dřevo).

V části obrázku proto nebudou uváděny žádné specifikace.

Hmotnost vrat* pro zátěž vrat: 510 N/m²


Použití vratových sekcí mezi 7–14 kg/m²

7. Montáž setu kolejnic

Pokud vám byl dodán set kolejnic, můžete tuto část přeskočit.

Pokud vytváříte vlastní set kolejnic, postupujte dle následujících pokynů:

Vrtání:


 Použijte šroub M8 (14010 nebo 14023) a matky (14022 nebo 14013) každých 650 mm (max.) mezi spoji, předem vyvrtejte otvory o Ø 8,5 mm:

Set vertikálních kolejnic: spojení mezi vertikální stojkou řady 290030 a kolejnicí řady 22000.


Set horizontálních kolejnic: oblouk řady 215091 a C-profil řady 220016.

Spojení mezi vertikální stojkou řady 290030 a spojovacími deskami 235300 - 235307.

Použijte 1 šroub/matku M8 (dle pokynů výše) mezi kolejnicí a spojovací deskou a 1 šroub/matku M8 (dle pokynů výše) v rozmezí mezi vertikální stojkou a spojovací deskou.

 Pro podrobnější informace viz: Kniha technické výroby

Nýtování:

 Minimální velikost nýtu = 5 mm, každých 650 mm (max.) mezi spoji níže.


Nýty musí být upevněny v souladu s pokyny/návodem nýtovacího vybavení.

Set vertikálních kolejnic: spojení mezi vertikální stojkou řady 290030 a kolejnicí řady 22000.


Set horizontálních kolejnic: oblouk řady 215091 a C-profil řady 220016.

Spojení mezi vertikálním stojkou řady 290030 a spojovacími deskami 235300 - 235307.

Použijte 1 nýt (dle pokynů výše) mezi kolejnicí a spojovací deskou a 2 nýty (dle pokynů výše) v rozmezí mezi vertikální stojkou a spojovací deskou.

 Pro podrobnější informace viz: Kniha technické výroby

8. Montáž panelu

 Panely je třeba namontovat v souladu s Návodem na montáž průmyslových panelů.

9. Rozsah použití

Toto zařízení bylo vyvinuto pro komerční využití

SL
Max. Breite
8500 mm
Max. Höhe
7000 mm
Max. Torblatt-Fläche
48 m ²
Max. Torblatt -Gewicht
660 kg
Max. Temperaturbereich außen*
-20 °C / +50 °C
Relative Luftfeuchtigkeit
5 - 90%

* Velké teplotní rozdíly mezi vnitřkem a vnějškem mohou způsobit prohnutí částí panelu (efekt dvou kovů). Zejména panely tmavé barvy jsou náchylné k tomuto problému a je třeba se mu vyhnout. Při manuální manipulaci je třeba dávat dobrý pozor, protože existuje velké riziko poškození.

10. Předání

Koncovému uživateli je třeba předat následující dokumenty:

- tento návod (montáže, údržby a demontáže),
- návod k použití,
- servisní knížku,
- prohlášení o výkonu (DoP),
- prohlášení o shodě (DoC), pouze v případě elektricky ovládaných vrat.

11. První použití

První použití systému průmyslových vrat musí provést montážník. Poté musí být VŠICHNI uživatelé zaškoleni.

Podrobnější informace najdete v Návodu k použití.

12. Elektrický pohon (volitelný)

Pohon namontujte v souladu s příručkou dodavatele.

POZNÁMKA:

V případě výpadku elektrické energie by mělo být možné vrata odemknout pomocí nouzového zámku ovladače. Pouze v takovém případě lze křídlo vrat ovládat madlem. Na elektricky ovládaná vrata nemontujte tahací lanko, petlice ani zámky nebo musí být petlice či zámek opatřeny elektrickým spínačem.

13. Nastavení řídicí jednotky

Nastavení řídicí jednotky je třeba provést v souladu s návodem výrobce pohonu. Dovolujeme si upozornit, že naše sady výrobků mají schválení CE pro použití s pohonem uvedenými v naší zprávě ITTr. Pokud zvolíte jiný pohon, montážník musí provést analýzu špičkového výkonu v souladu s normami EN-12445 a EN-12453.

14. Demontáž

Demontáž smí provádět pouze kvalifikovaná společnost pro montáž průmyslových vrat/kvalifikovaný montážník. Vrata je třeba demontovat obráceným postupem pro montáž.

15. Likvidace

Veškeré díly tohoto systému průmyslových vrat lze jednoduše zlikvidovat. V této záležitosti se obraťte na své místní orgány.

Postup

- Uvolněte napnutí torzních pružin!
 - Do napínací hlavice zasuňte první napínací tyč.
 - Pevně držte 1 napínací tyč a opatrně uvolněte šrouby na napínací hlavě a přeneste napnutí pružiny.
 - Nyní zasuňte 2 napínací tyč do dalšího otvoru koncovky pružiny a pružinu opatrně uvolněte. Pružinu je třeba uvolňovat shora dolů.
 - Znovu zasuňte 1 napínací tyč do koncovky pružiny a uvolněte ji.
 - Zopakujte kroky 3-4, dokud se pružina neuvolní.
 - Zopakujte kroky 1-4 pro další pružinu (pružiny).
- Elektrický ovladač demontujte v souladu s návodem elektrického ovladače.
- Uvolněte šrouby na lanových bubnech a sundejte z nich ocelová lanka. Dávejte pozor na zbytkové napnutí lanek, zkontrolujte, zda jsou lanka uvolněná!
- Demontujte torzní hřídel. Nejprve odmontujte hřídelovou spojku a následně pečlivě vysuňte obě poloviny hřídele z koncových držáků s ložiskem. Dávejte pozor na komponenty, které mohou vyklouznout společně s hřídelí!
- Části panelu demontujte shora dolů. To dosáhnete demontováním držáků koleček a středových pantů.
- Demontujte set horizontálních kolejnic.
- Demontujte set vertikálních kolejnic.

16. Údržba a Varování

V souladu s normami EU je třeba provádět pravidelnou údržbu a kontrolu systému průmyslových vrat, počínaje prvním použitím, a to na základě postupu uvedeného montážníkem.

Údržbu je třeba písemně zaznamenat.

Není-li uvedeno jinak, smí údržbu provádět pouze kvalifikovaná společnost pro montáž průmyslových vrat/kvalifikovaný montážník.

Konzoly a další komponenty připojené k torzním pružinám a lankům jsou pod mimořádným napětím. Napnuté pružiny jsou pod velkým napětím; buďte vždy velmi opatrní a zkontrolujte, zda je napínací tyč (č. 12025) dobře udržovaná a použijte správnou stranu tyče (závisí na použité koncovce pružiny). Při kontrole systému průmyslových vrat vždy odpojte přívod elektrické energie a zkontrolujte, zda je systém zablokovaný proti opětovnému zapnutí, aniž byste o tom věděli.

Bezprostředně po instalaci (Provede Montážník):

- Namažte části kolejnic ve kterých se pohybují kolečka (doporučené: PTFE).
- Namažte ložiska a hřídele koleček (doporučené: PTFE).
- Namažte osičky středových a bočních pantů (doporučené: PTFE).
- Namažte ložiska hřídele (doporučené: PTFE).
- Namažte těsnění (doporučené: speciální mazadlo na pryž nebo vazelína).

Po 3 měsících (Provede Montážník):

- Zkontrolujte vyvážení systému / zkontrolujte napnutí pružin, případně dotáhněte (uvolňující pružiny).
- Proveďte úplnou vizuální kontrolu.

Každých 6 měsíců (Provede Uživatel):

- Namažte části kolejnic ve kterých se pohybují kolečka (doporučené: PTFE).
- Namažte ložiska a hřídele koleček (doporučené: PTFE).
- Namažte osičky středových a bočních pantů (doporučené: PTFE).
- Namažte ložiska hřídele (doporučené: PTFE).
- Namažte těsnění (doporučené: speciální mazadlo na pryž nebo vazelína).
- Vyčistěte panely (doporučené: šampon na mytí aut s vodou), nepoužívejte agresivní čisticí prostředky.
- Navoskujte panely (doporučené: vosk na vozidla).
- Odstraňte nečistoty ze vrat a okolí

Každých 12 měsíců nebo 7 500 cyklů vrat (Provede Montážník):

- Zkontrolujte lanka a koncové spoje lanek z hlediska poškození nebo opotřebení.
- Zkontrolujte spojovací body lanek na spodním držáku nebo na pojistce při prasknutí lanka a lanových bubnech.

- Zkontrolujte pojistku při prasknutí pružiny v souladu se samostatným návodem.
 - Zkontrolujte polohu ozubeného kolečka.
 - Zkontrolujte funkci západky.
 - kontrolujte šrouby upevnění SBD.
 - Zkontrolujte pojistku při prasknutí lanka v souladu se samostatným návodem.
 - Zkontrolujte funkci pojistky při prasknutí lanka.
 - Zkontrolujte polohu čepele pojistky při prasknutí lanka.
 - Zkontrolujte polohu hřídelky pantu.
 - Zkontrolujte vyvážení vrat a v případě potřeby je upravte/zkontrolujte manuální ovládání.
 - Zkontrolujte panty z hlediska prasknutí a opotřebení.
 - Zkontrolujte systém kladek (je-li namontován) z hlediska poškození nebo opotřebení.
 - Zkontrolujte nebo otestujte upevnění pružiny ke koncovce pružin.
 - Zkontrolujte kolečka z hlediska poškození nebo opotřebení a jejich vůli.
 - Zkontrolujte sílu uzavření hlavní zavírací hrany (pouze v případě elektrického ovládání a při funkci Ne na volno).
 - Zkontrolujte zavěšení horizontální kolejnice ke stropu.
 - Zkontrolujte závěsné profily z hlediska prasknutí nebo poškození.
 - Zkontrolujte utažení matic a šroubů.
 - Boční těsnění, horní a dolní těsnění zkontrolujte z hlediska poškození nebo opotřebení
 - Zkontrolujte panely z hlediska poškození, opotřebení.
 - Namažte torzní pružiny, ložiska válečků, pohybující se části ližin a ložisko hřídele.
- Každých 24 měsíců nebo 15000 cyklů vrat (Provede Montážník):**
- Zkontrolujte lanka a koncové spoje lanek z hlediska poškození nebo opotřebení.
 - Zkontrolujte spojovací body lanek na spodním držáku nebo na pojistce při prasknutí lanka a lanových bubnech.
 - Zkontrolujte pojistku při prasknutí pružiny v souladu se samostatným návodem.
 - Zkontrolujte polohu ozubeného kolečka.
 - Zkontrolujte funkci západky.
 - Zkontrolujte šrouby upevnění SBD.
 - Zkontrolujte pojistku při prasknutí lanka v souladu se samostatným návodem.
 - Zkontrolujte funkci pojistky při prasknutí lanka.
 - Zkontrolujte polohu čepele pojistky při prasknutí lanka.
 - Zkontrolujte polohu osiček pantů.
 - Zkontrolujte vyvážení vrat a v případě potřeby je upravte/zkontrolujte manuální ovládání.
 - Zkontrolujte panty z hlediska prasknutí a opotřebení.

CS

- Zkontrolujte systém kladek (je-li namontován) z hlediska poškození nebo opotřebení.
- Zkontrolujte nebo otestujte upevnění pružiny ke koncovce pružin.
- Zkontrolujte kolečka z hlediska poškození nebo opotřebení a jejich vůli.
- Zkontrolujte sílu uzavření hlavní zavírací hrany (pouze v případě elektrického ovládání a při funkci Ne na volno).
- Zkontrolujte zavěšení horizontální kolejnice ke stropu.
 - Zkontrolujte závěsné profily z hlediska prasknutí nebo poškození.
 - Zkontrolujte utažení matic a šroubů.
- Zkontrolujte hřídel z hlediska poškození a opotřebení.
- Zkontrolujte spoje setů kolejnic.
- Zkontrolujte a znovu utáhněte šrouby hřídelové spojky.
- Boční těsnění, horní a dolní těsnění zkontrolujte z hlediska poškození nebo opotřebení.
- Zkontrolujte panely z hlediska poškození, opotřebení.
- Namažte torzní pružiny, ložiska koleček, části kolejnic ve kterých se pohybují kolčeka a ložiska hřídele.

17. Výměna dílů

Používejte pouze původní náhradní díly DOCO! Údržbu by měla provádět pouze kvalifikovaná společnost dodávající průmyslová vrata/kvalifikovaný montážník.

Po prasknutí pružiny:

Viz pokyny v samostatném návodu (nebo si návod stáhněte z internetové stránky www.doco-international.com).

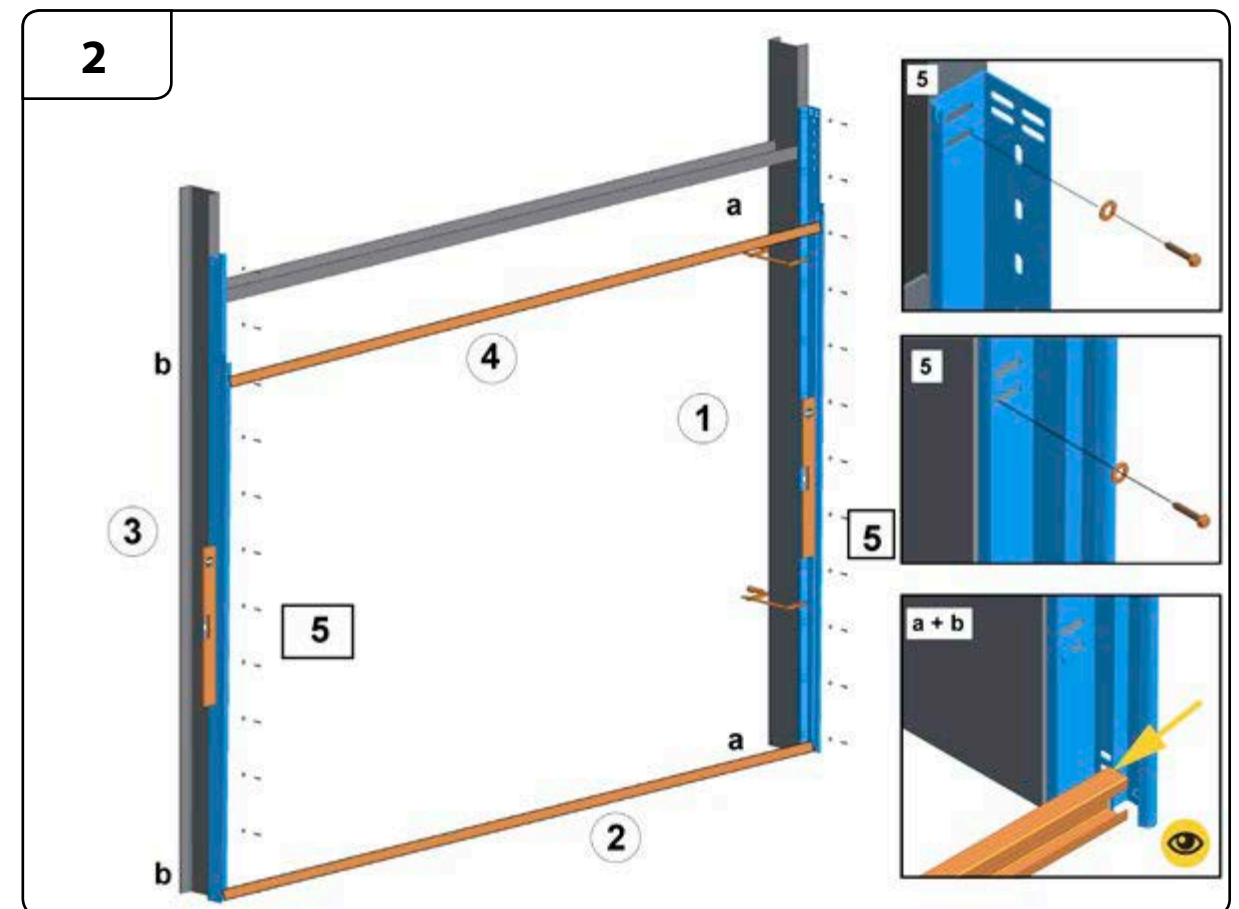
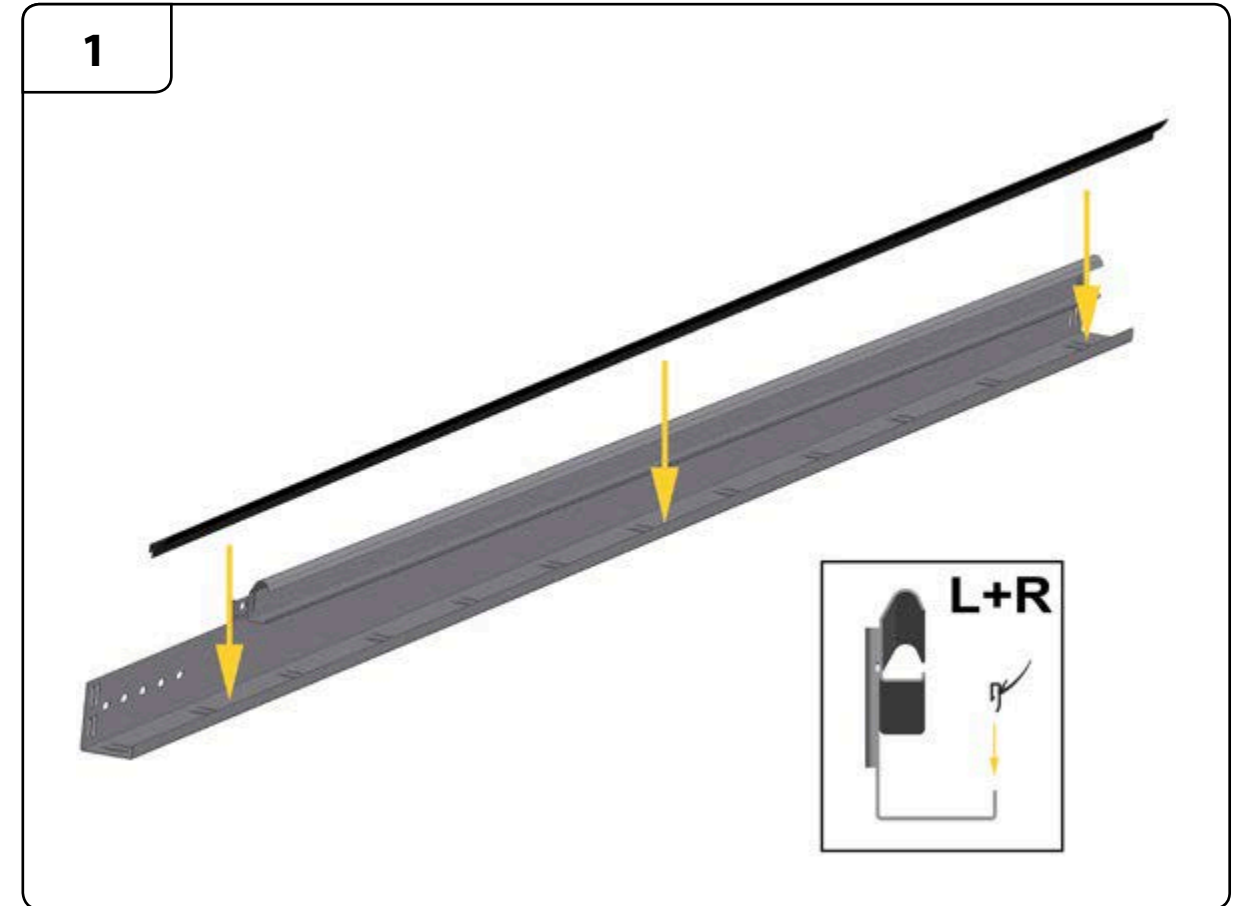
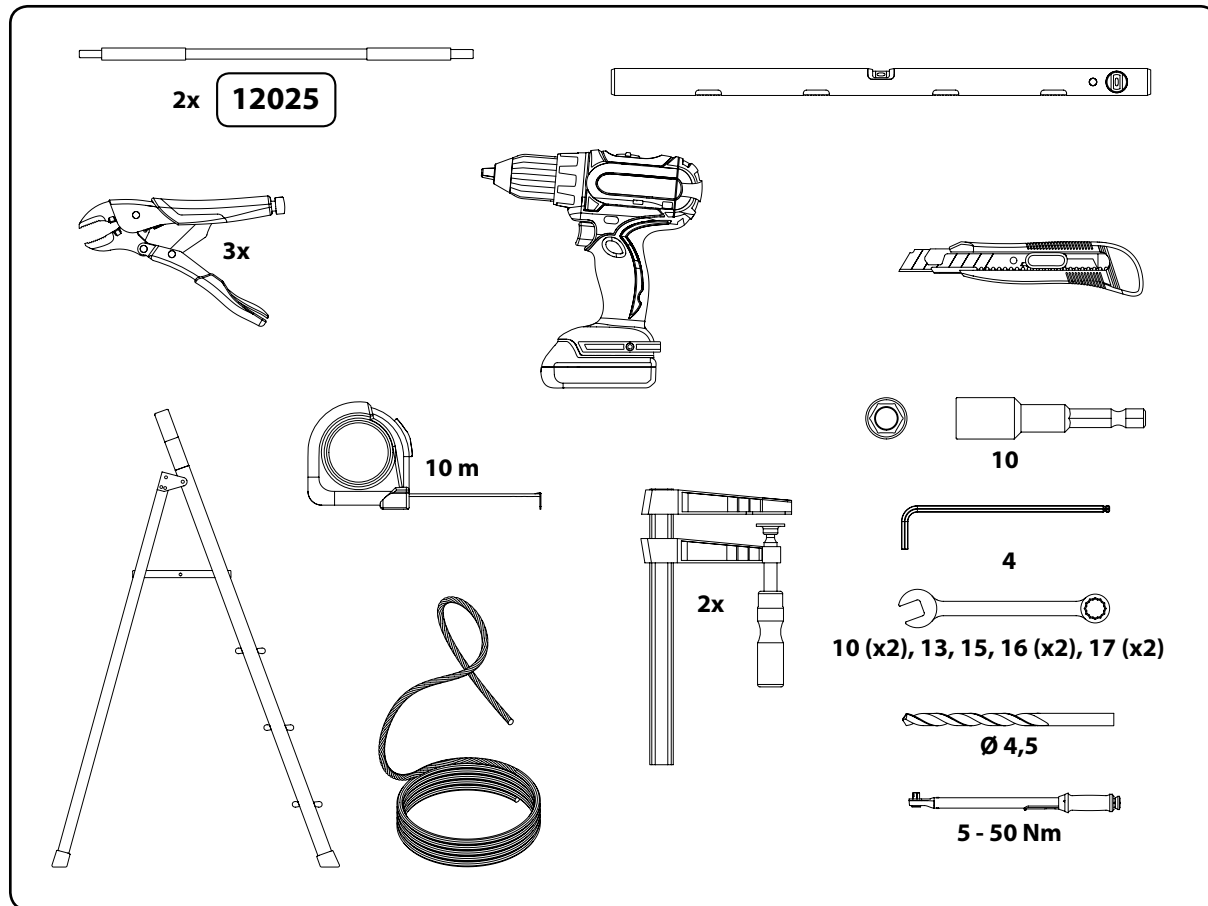
- Vyměňte pružinu a pojistku při prasknutí pružiny.
- Zkontrolujte hřídel z hlediska poškození a v případě potřeby ji vyměňte.

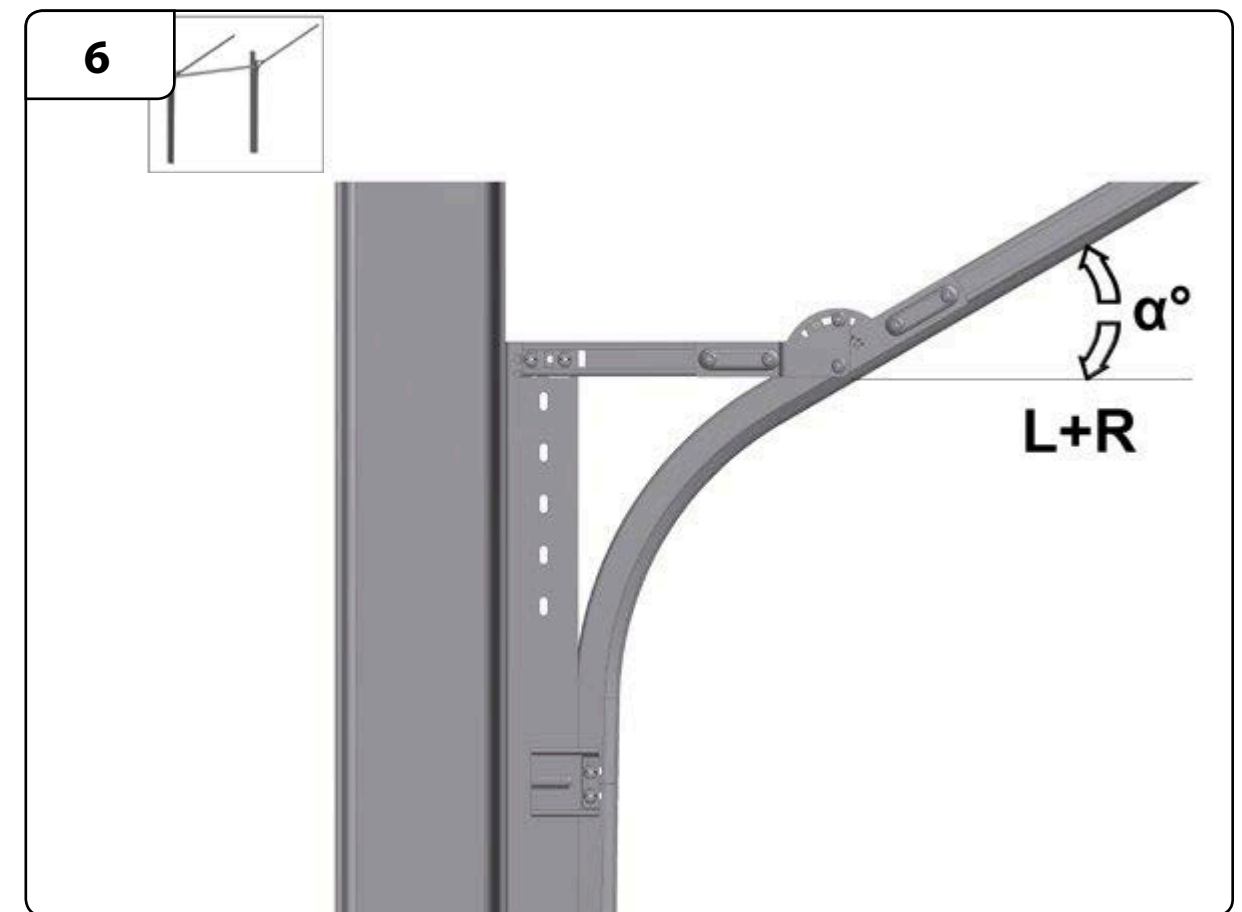
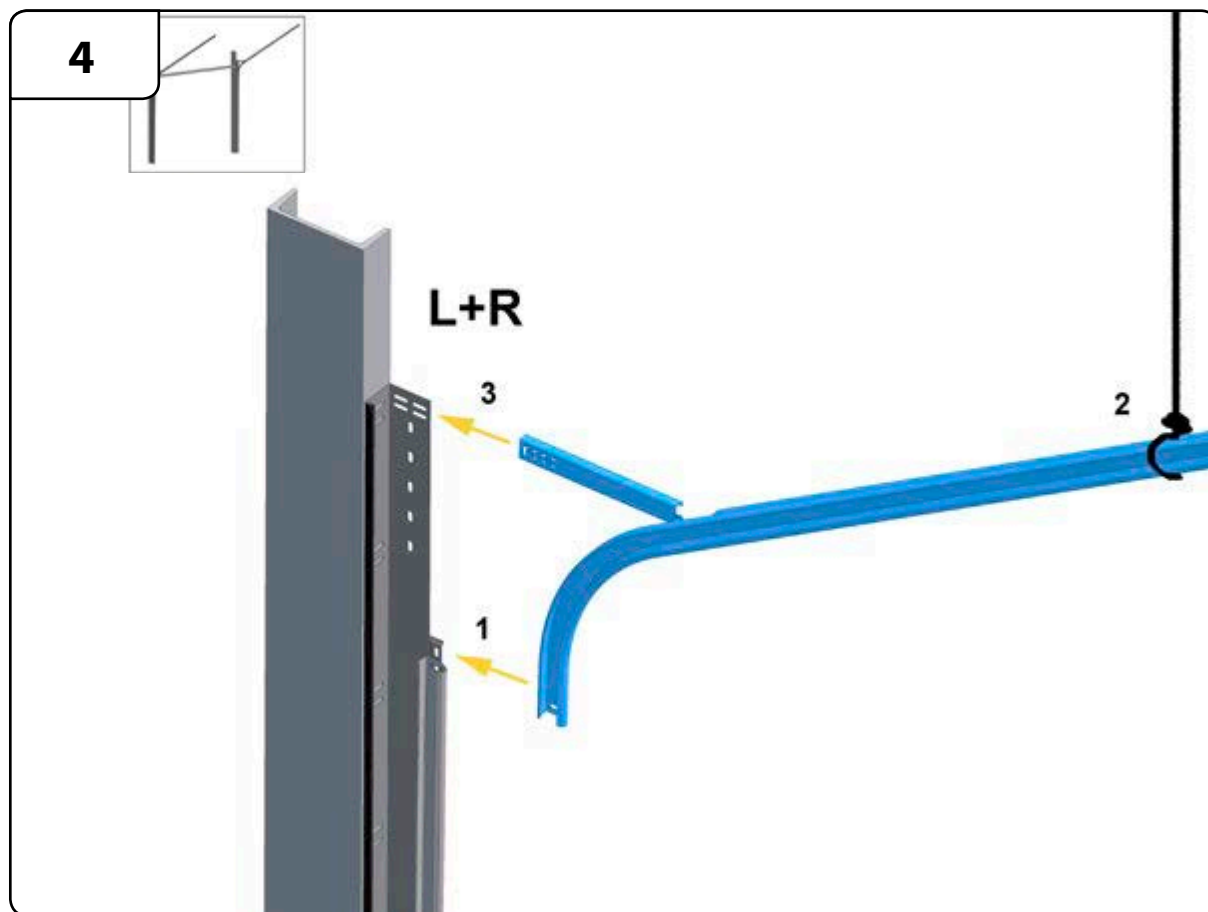
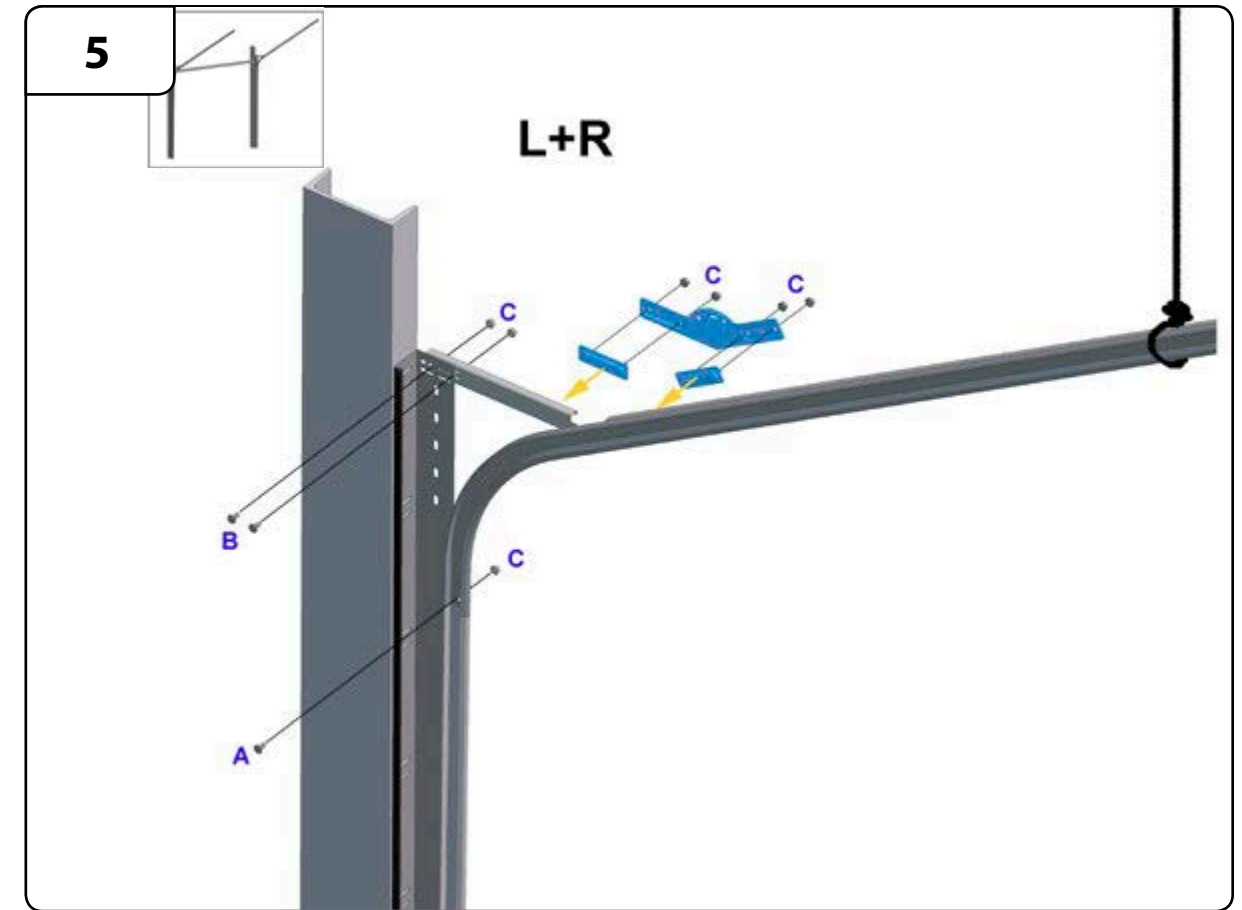
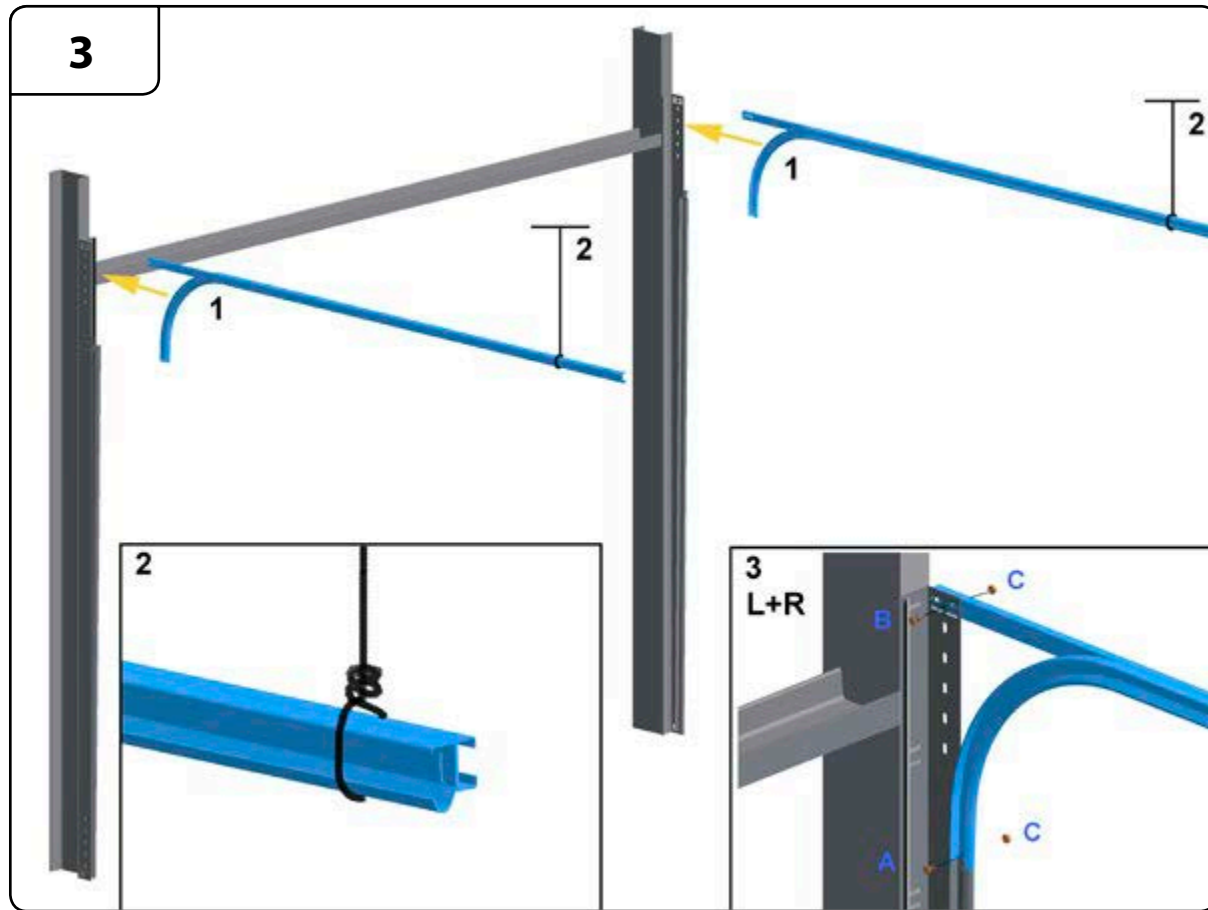
Po prasknutí lanka:

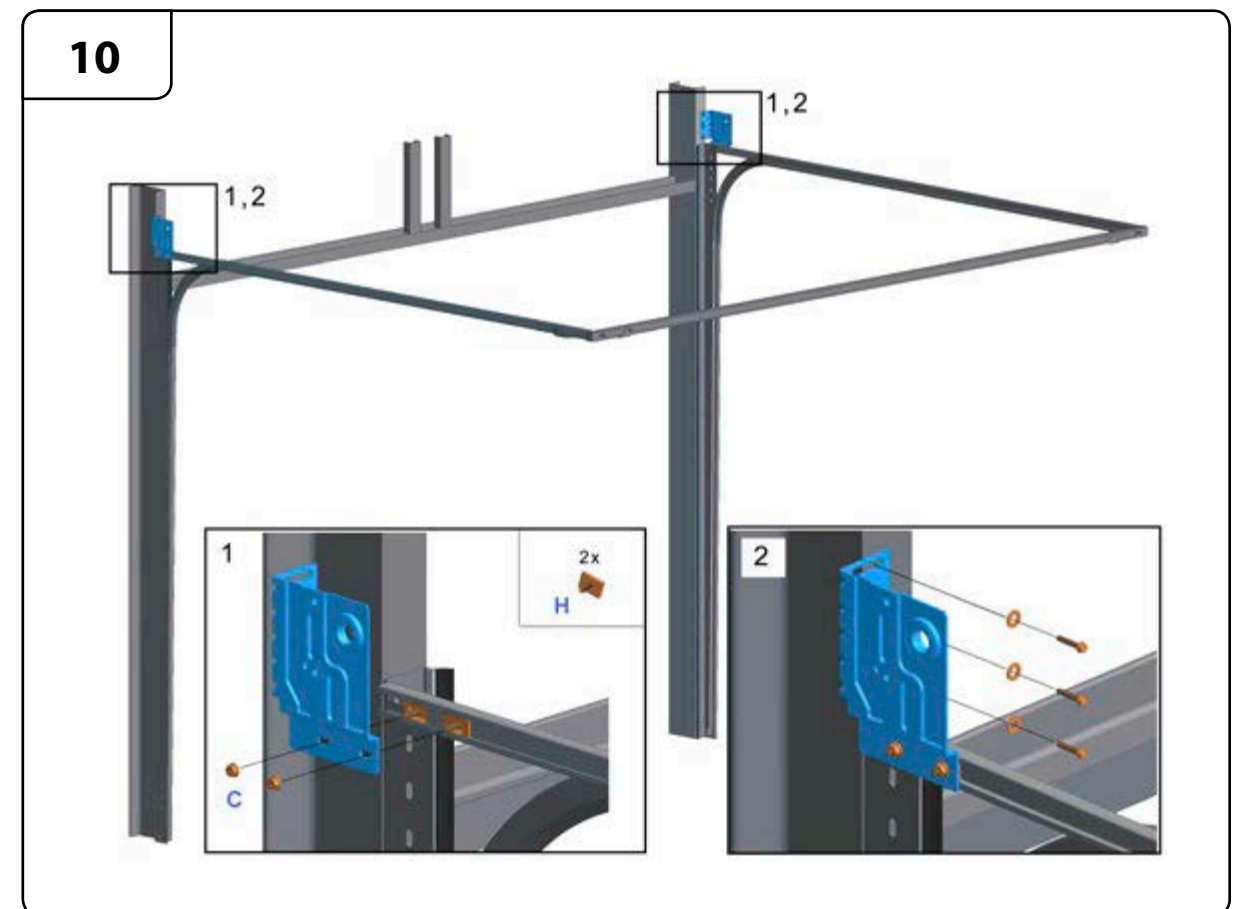
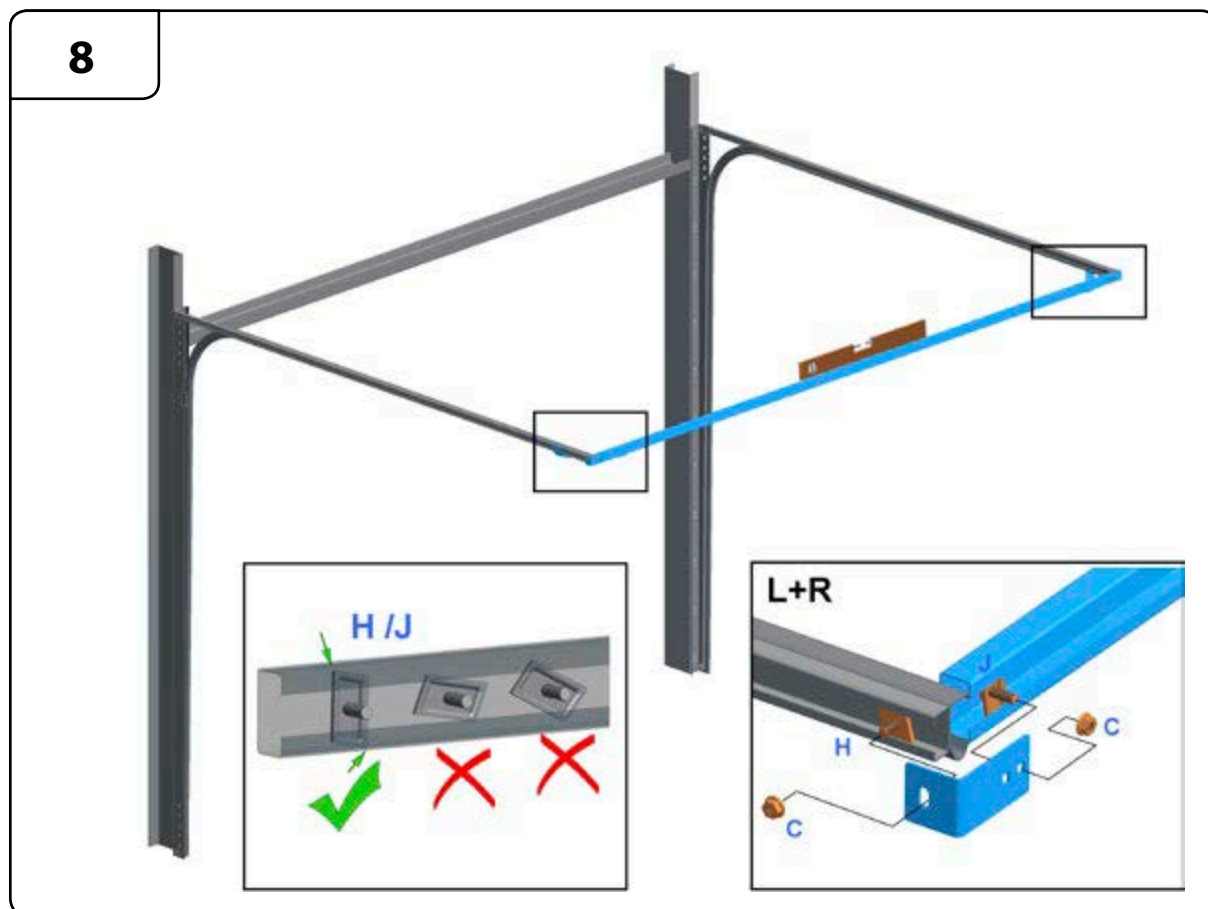
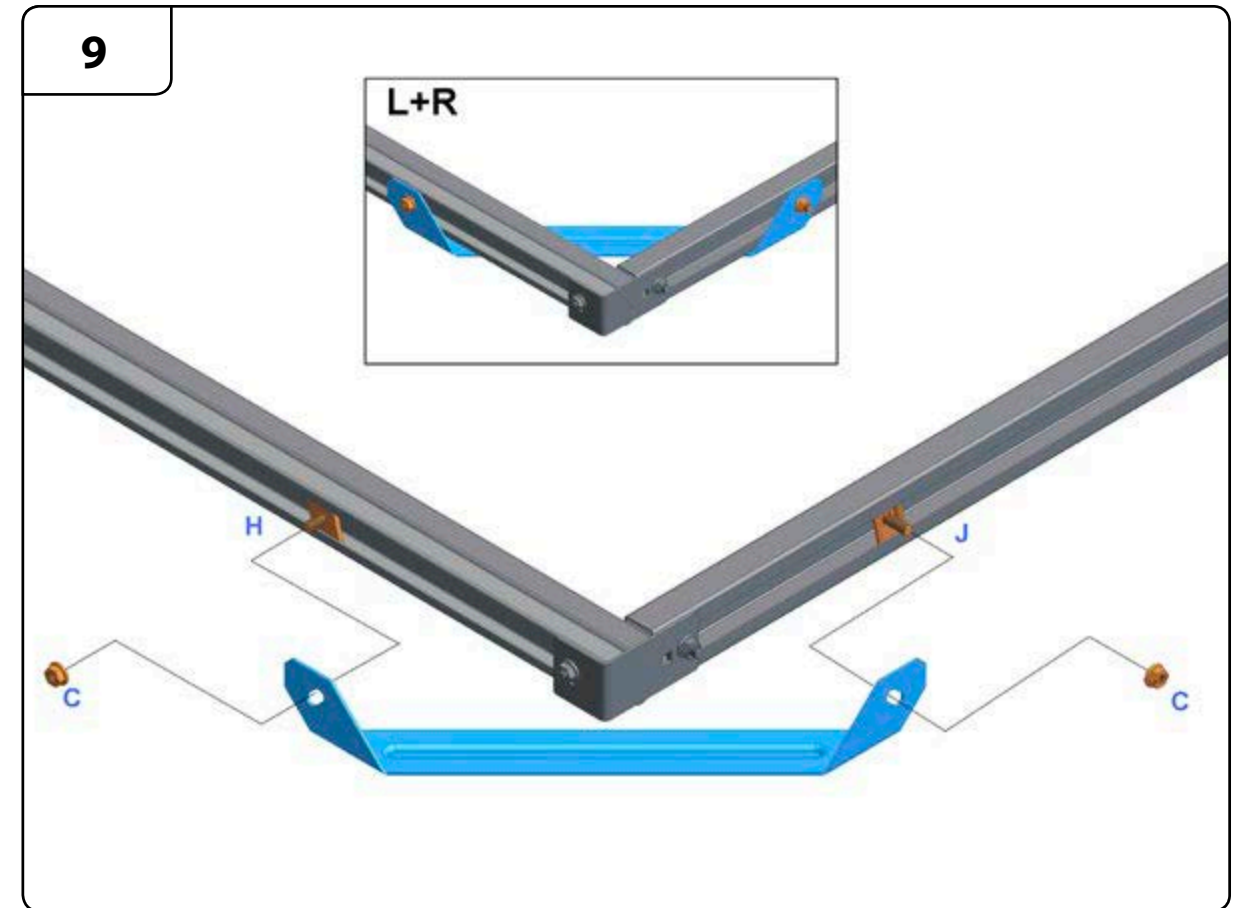
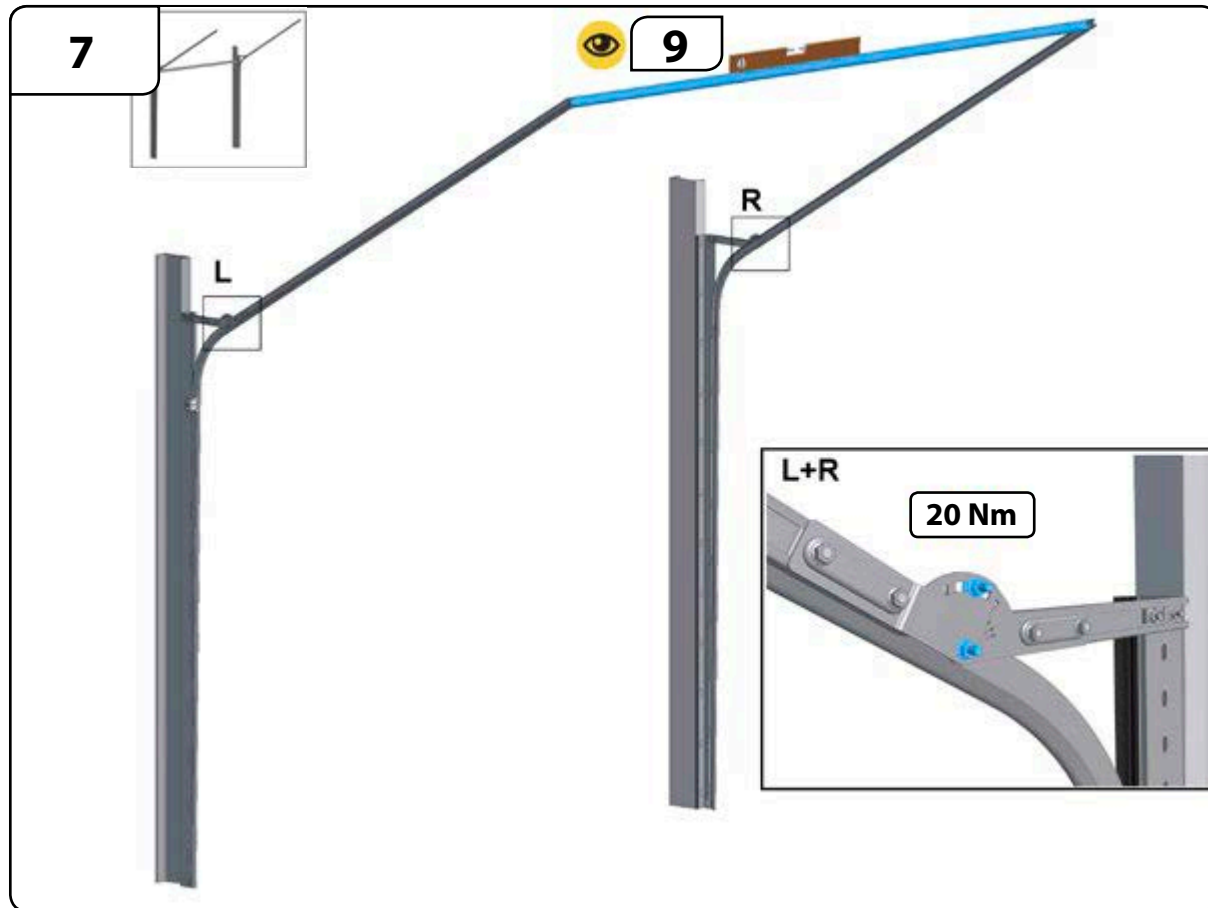
Viz pokyny v samostatném návodu (nebo si návod stáhněte z internetové stránky www.doco-international.com).

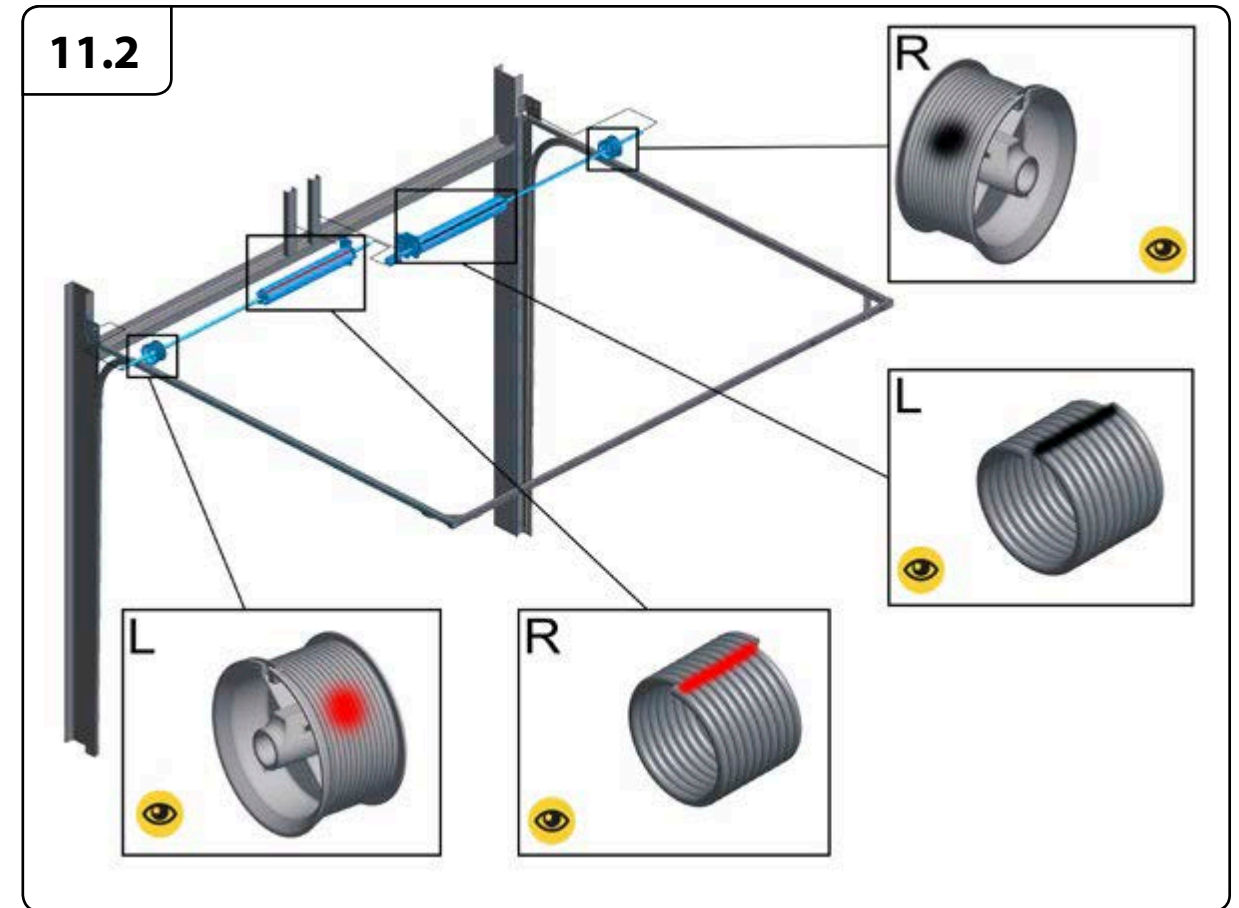
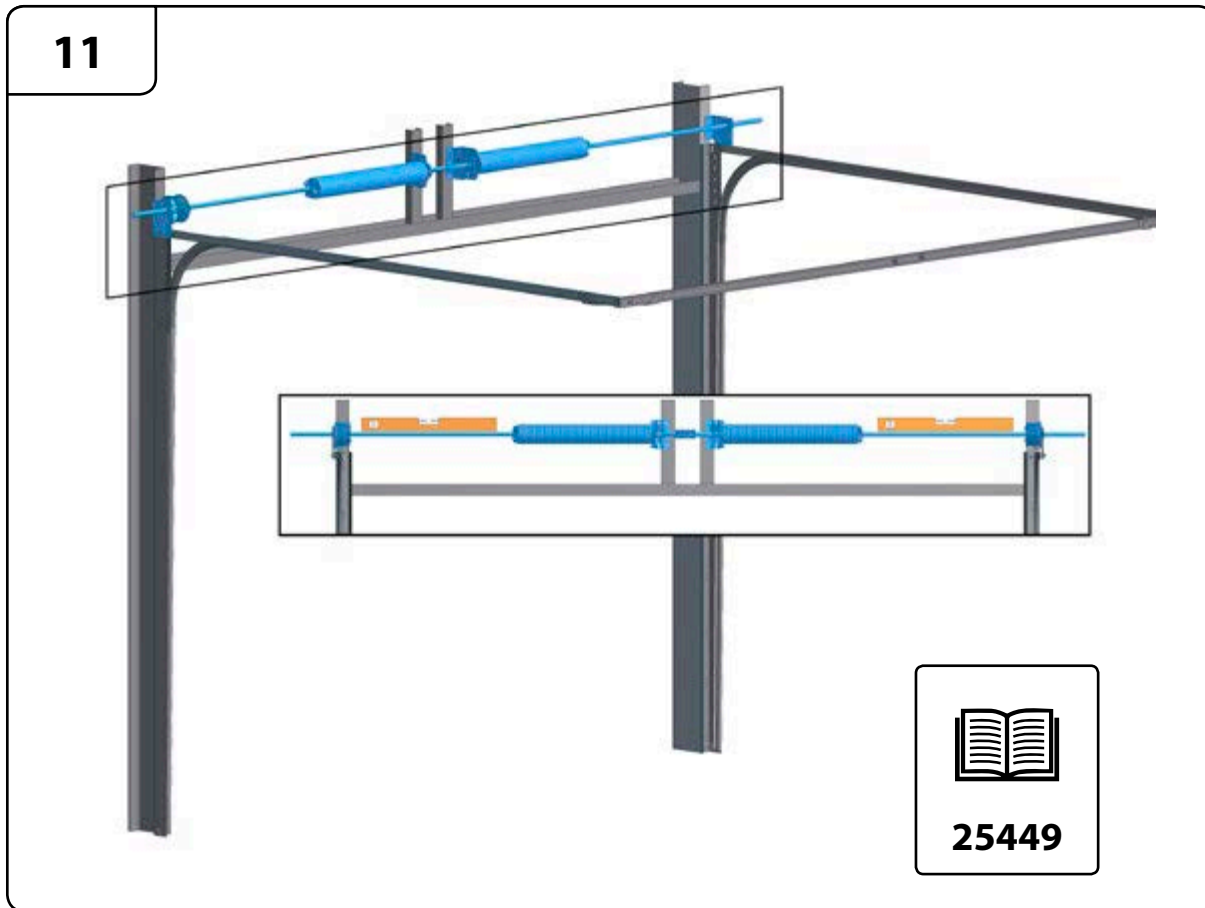
- Vyměňte lanko se spojkou.
- Vyměňte kompletně pojistku při prasknutí lanka.
- Zkontrolujte kolejnice a provedte jejich servis nebo je vyměňte.

A	14023 M8 x 17 13 Nm		
B	14024 M8 x 10 13 Nm		
C	14022 M8 13 Nm		
D	14099 M10 35 Nm		
E	Ø 6,3 10 Nm	14020 L=16 150002 L=25 14017 L=35	
F	150118 M8 x 20 13 Nm		
G	150098 M10 x 25 35 Nm		
H	235201 M8 x 15 15 Nm		
I	235205 M8 x 18 15 Nm		
J	235200 M8 x 18 15 Nm		
K	235203 M8 x 18 15 Nm		





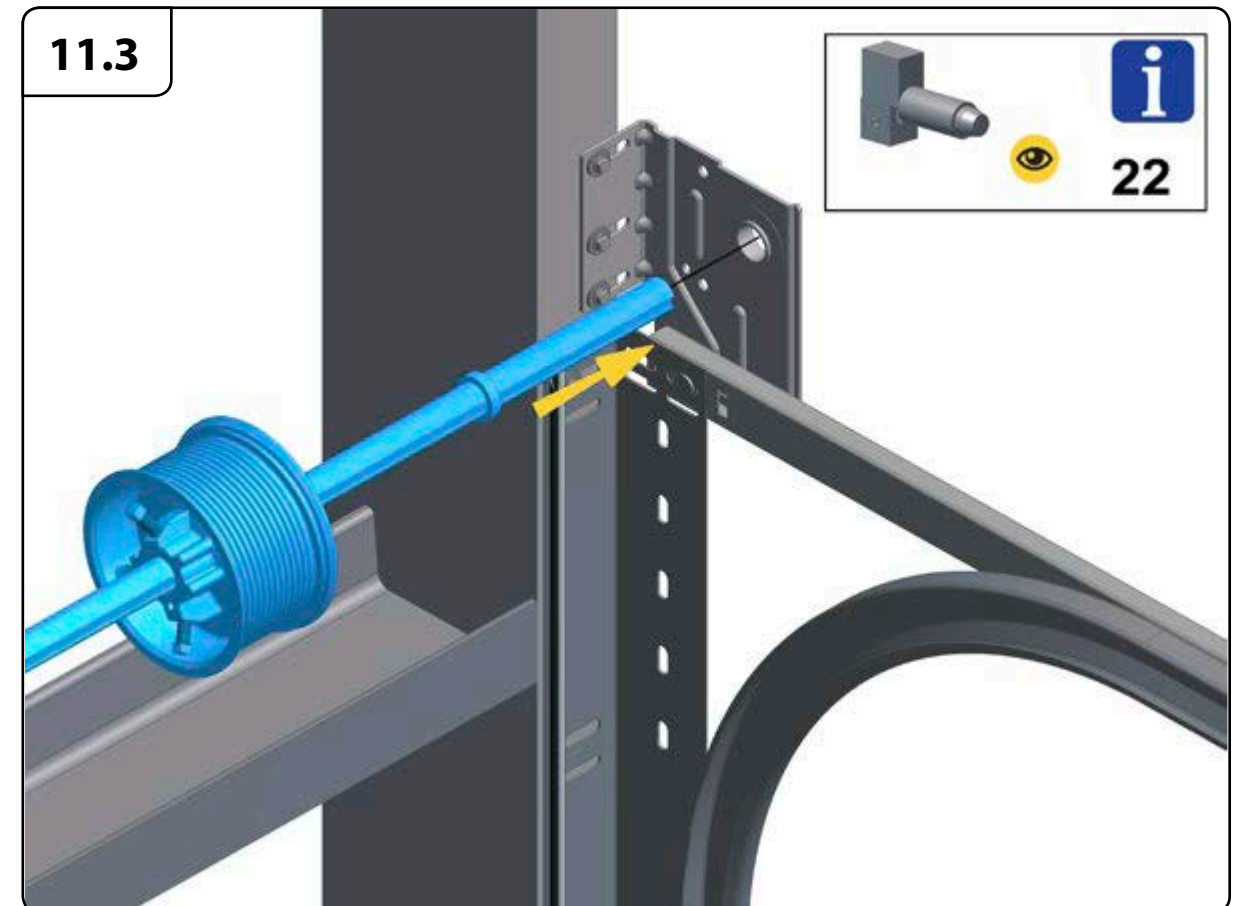


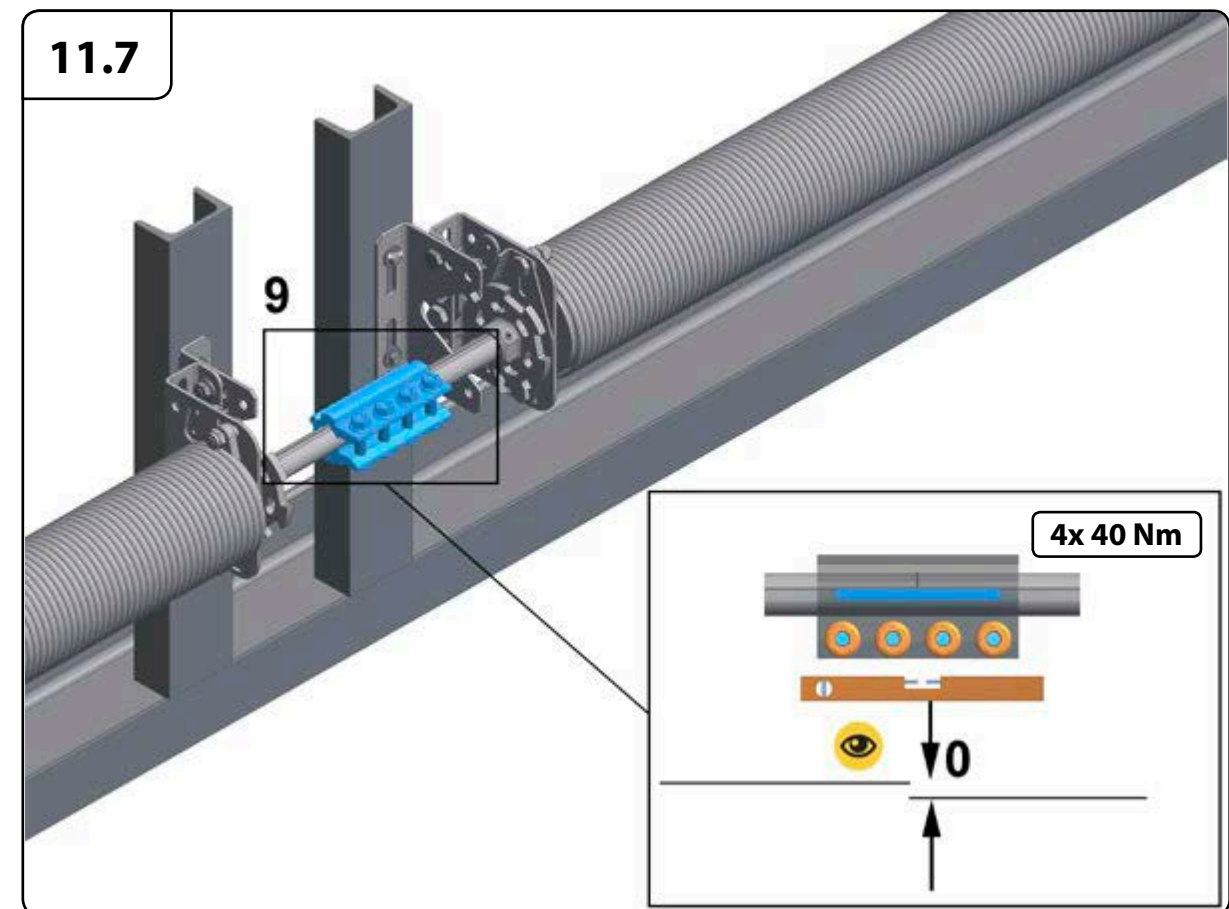
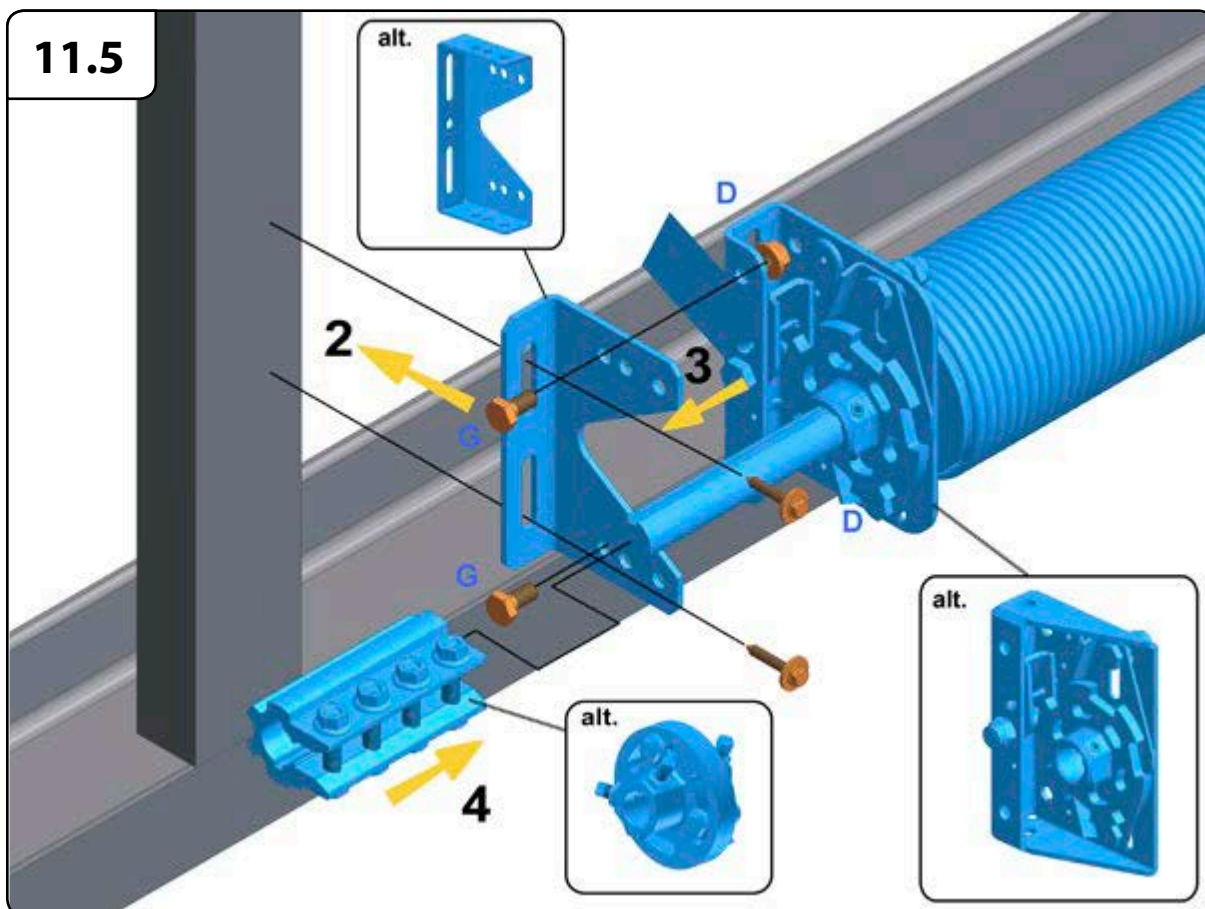
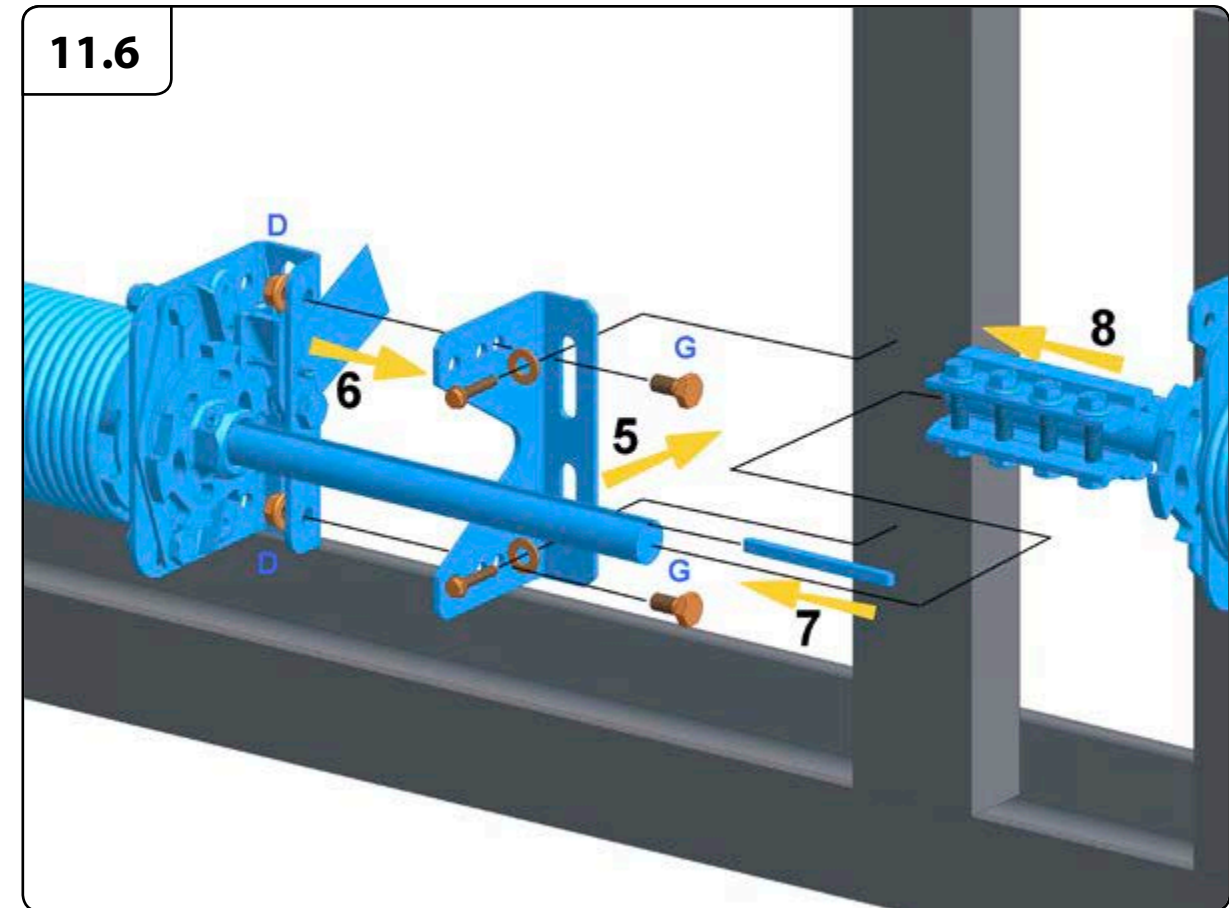
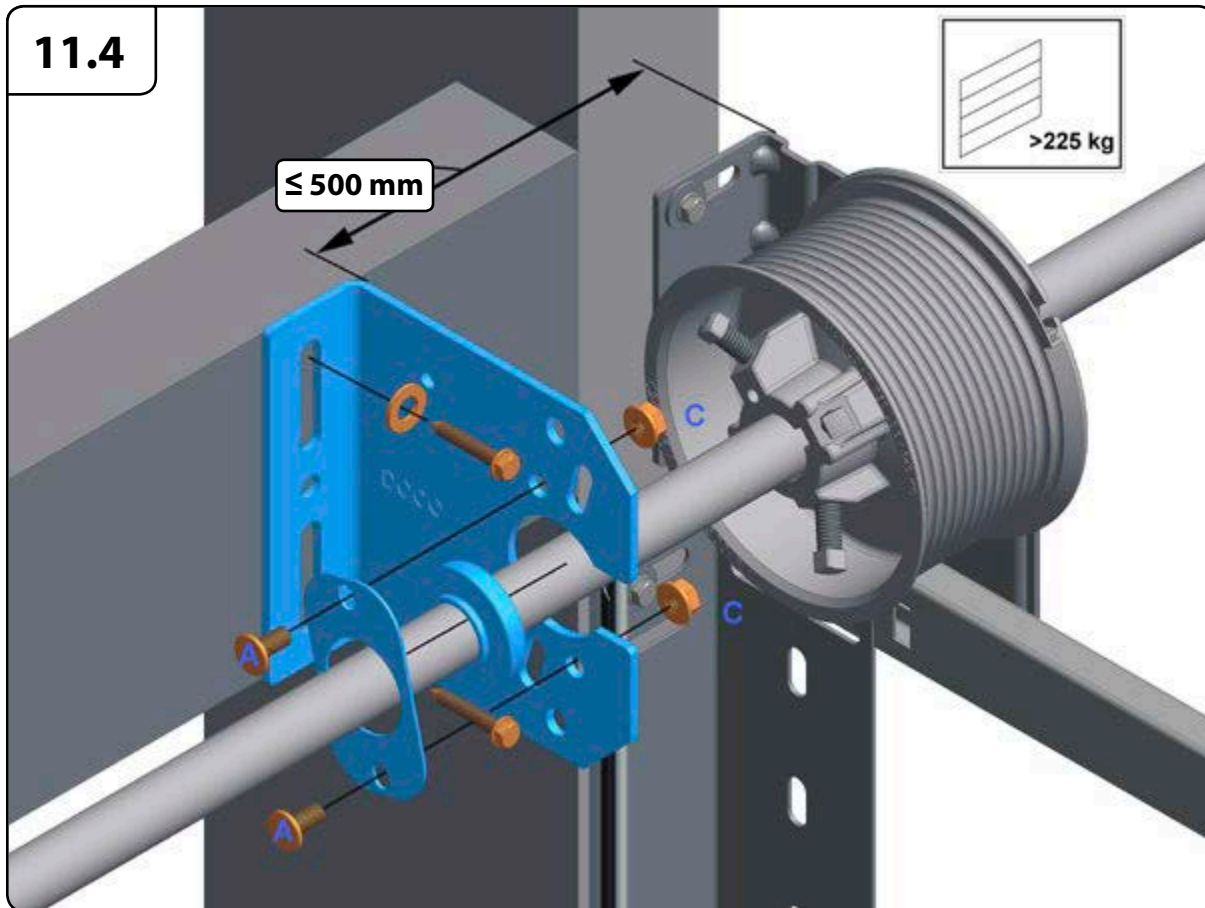


11.1

Offset [mm]	End bearing plate 1	Support bearing plate 2*	Drum 3	Spring 4	Spring break device 5	Coupler 6	Spring 7
86	235210 or 130102	13301 + 14002 + 13026 or 13025 + 13026-27 or 13013	Drums with 2 or 0.5 safety wrap (depends of drum), cable outside	Spring Right = Red color code	25449 or 299540/41	25049 or 275001 or 25042	Spring Left = Black or Blue color code
111	235211 or 130103	13302 + 14002 + 13026 or 13025 + 13026-27 or 13014			25449 + 25448 or 299540/41 + 299560		
127	235212 or 130104	13303 + 14002 + 13026 or 13025 + 13026-27 or 13015			25449 + 25448 or 299540/41 + 299560		
152	235213 or 130105 235217 (1,25")	13303 + 14002 + 13026 or 13025 + 13026-27 or 13016 or 13516 (1,25")			25449 + 25448 or 299540/41 + 299560 25549 (1,25") + 299560		

* = only if door > 225kg





12

13.1 - 13.6

Panel assembly
Panele montage
Panneaux montage
Panel montanje
Pannelli montaggio
Montáž na Panel
Montaż Panelu
Panel montage

25450 / 25454

Max. 660 kg (system)

25032

Max. 600 kg (system)

25455

Max. 450 kg (system)

12.2

L+R

25072

12.1

L+R

2

1

L+R

6

5

4

3

12.3

L+R

2x10 mm

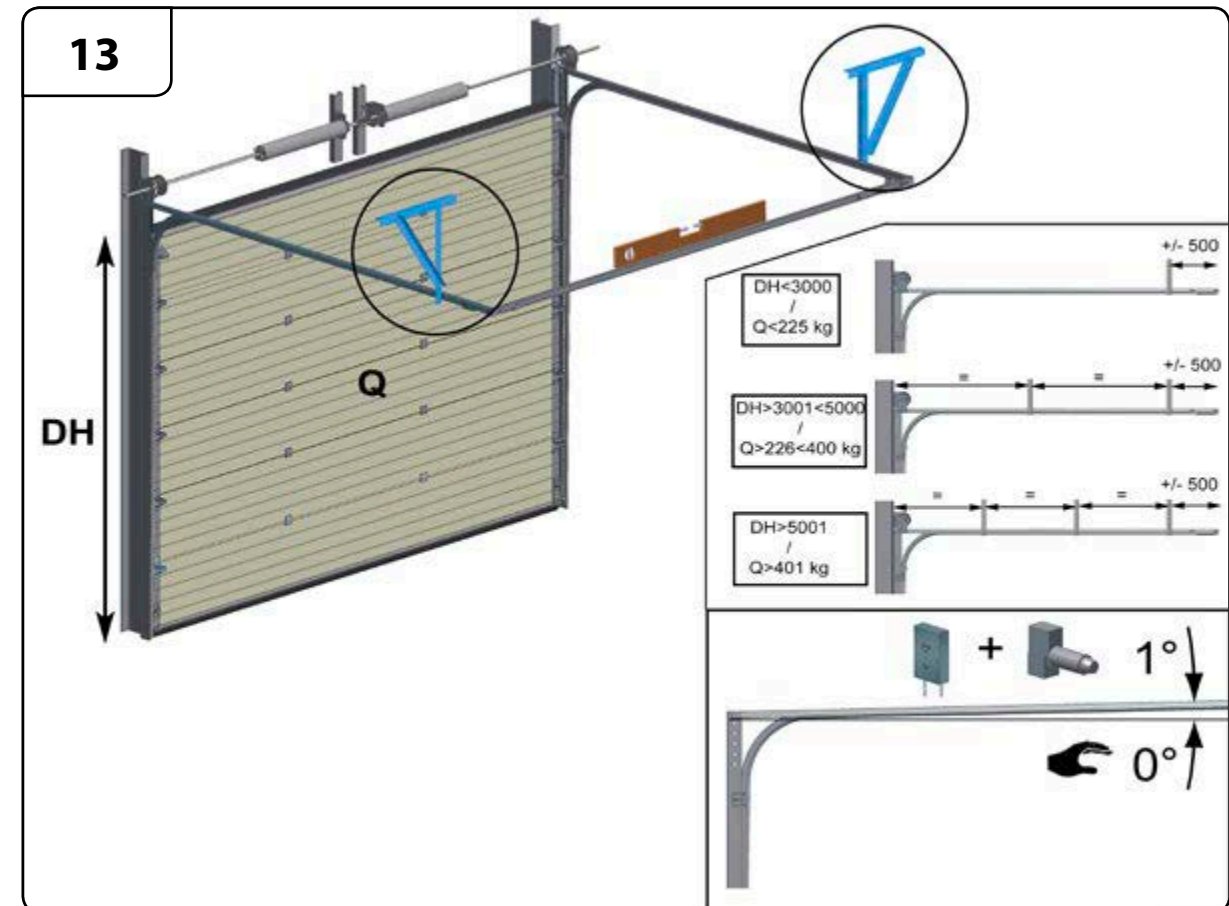
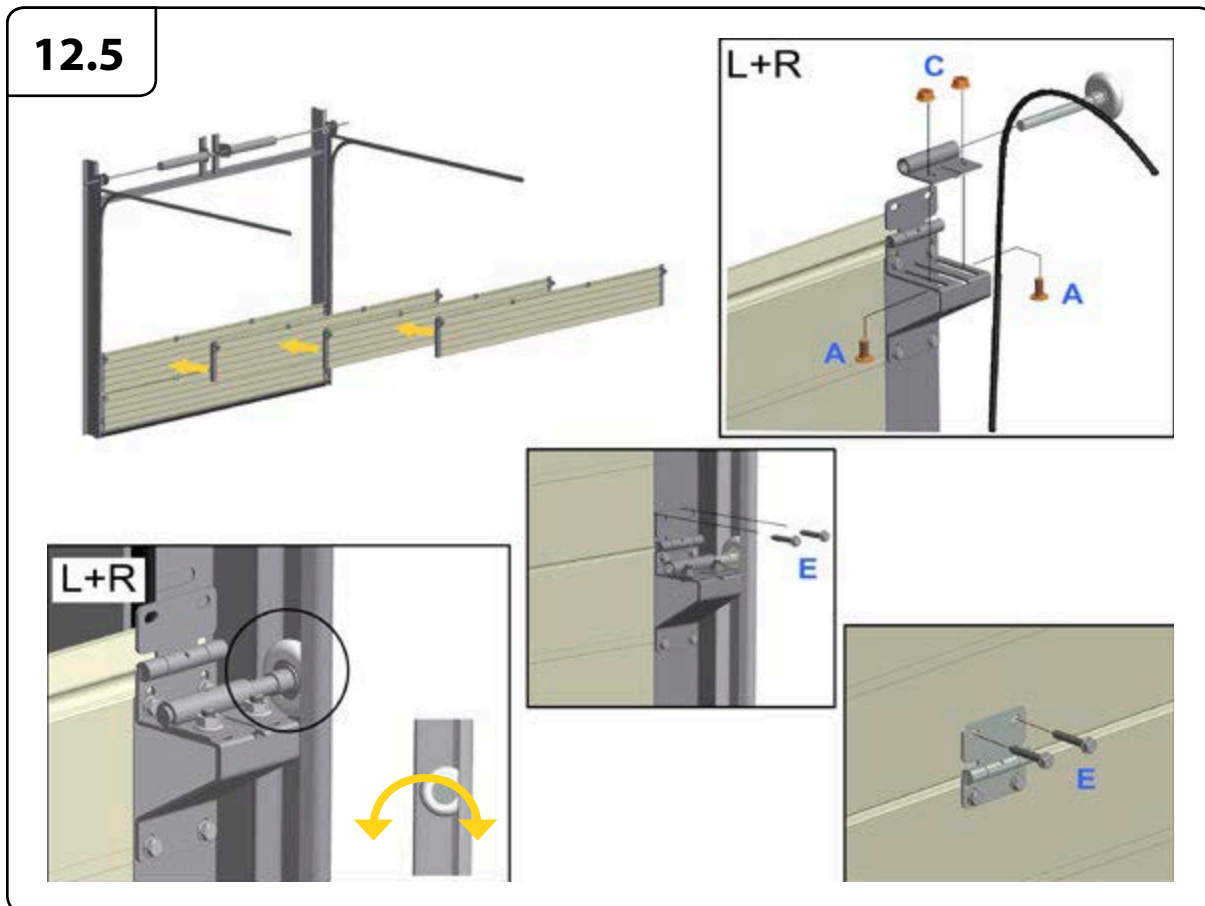
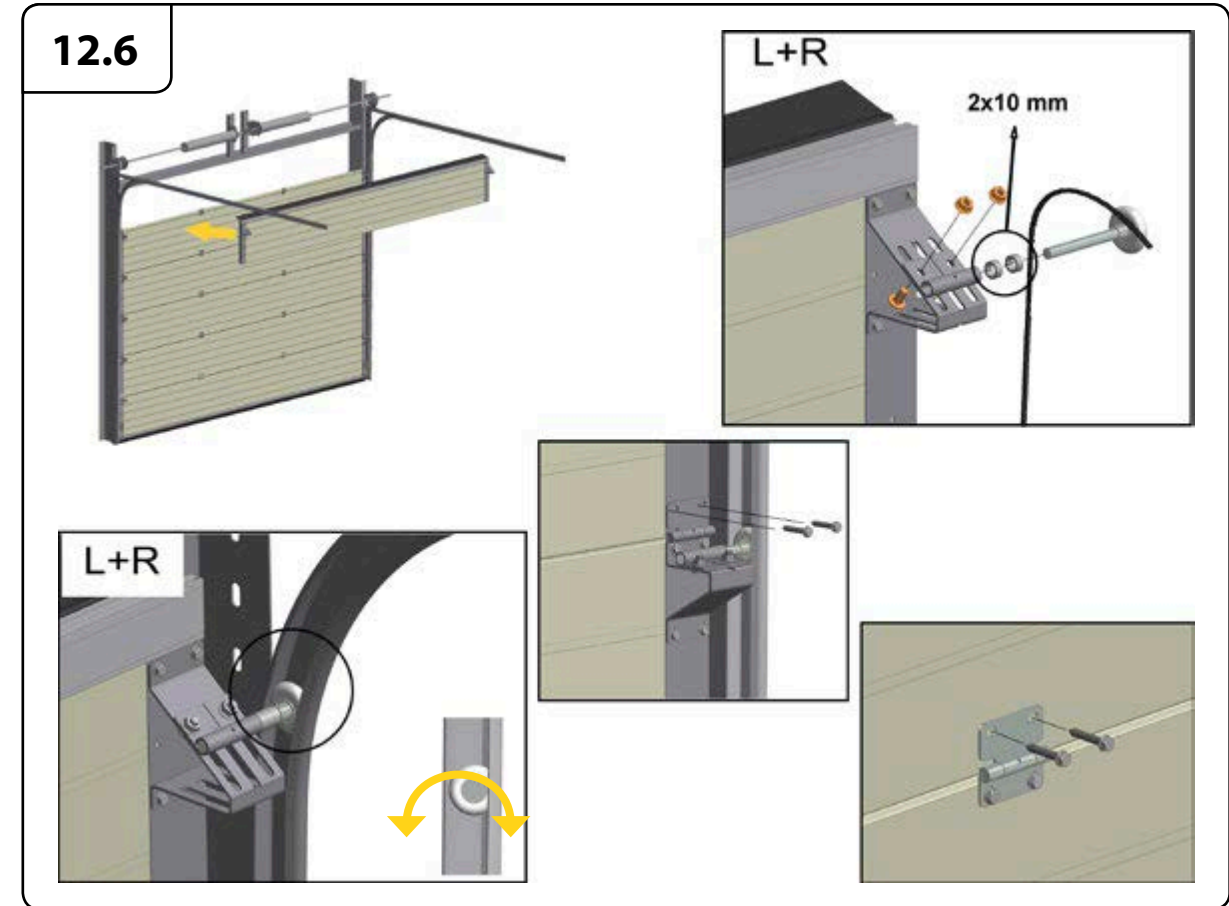
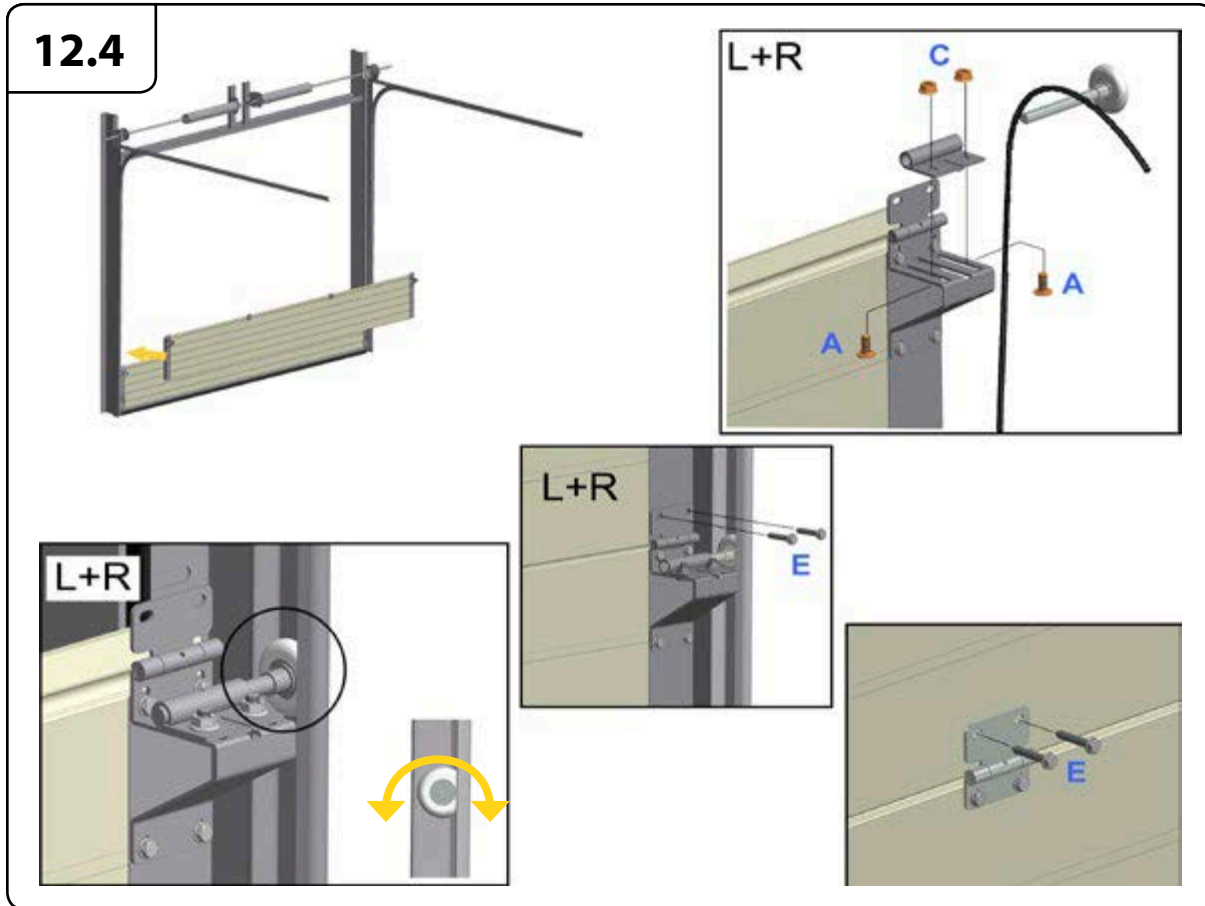
C

A

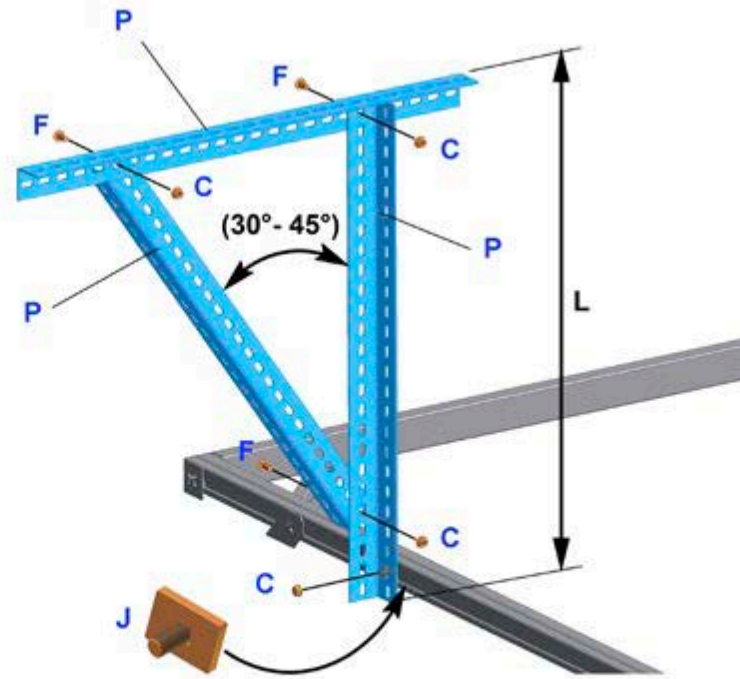
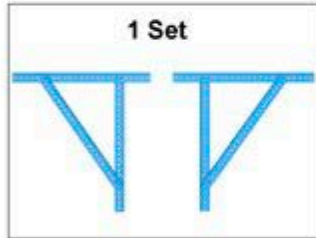
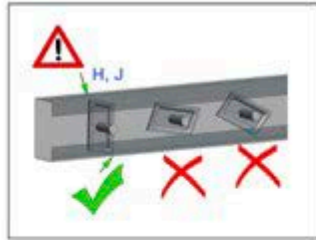
A

L+R

C

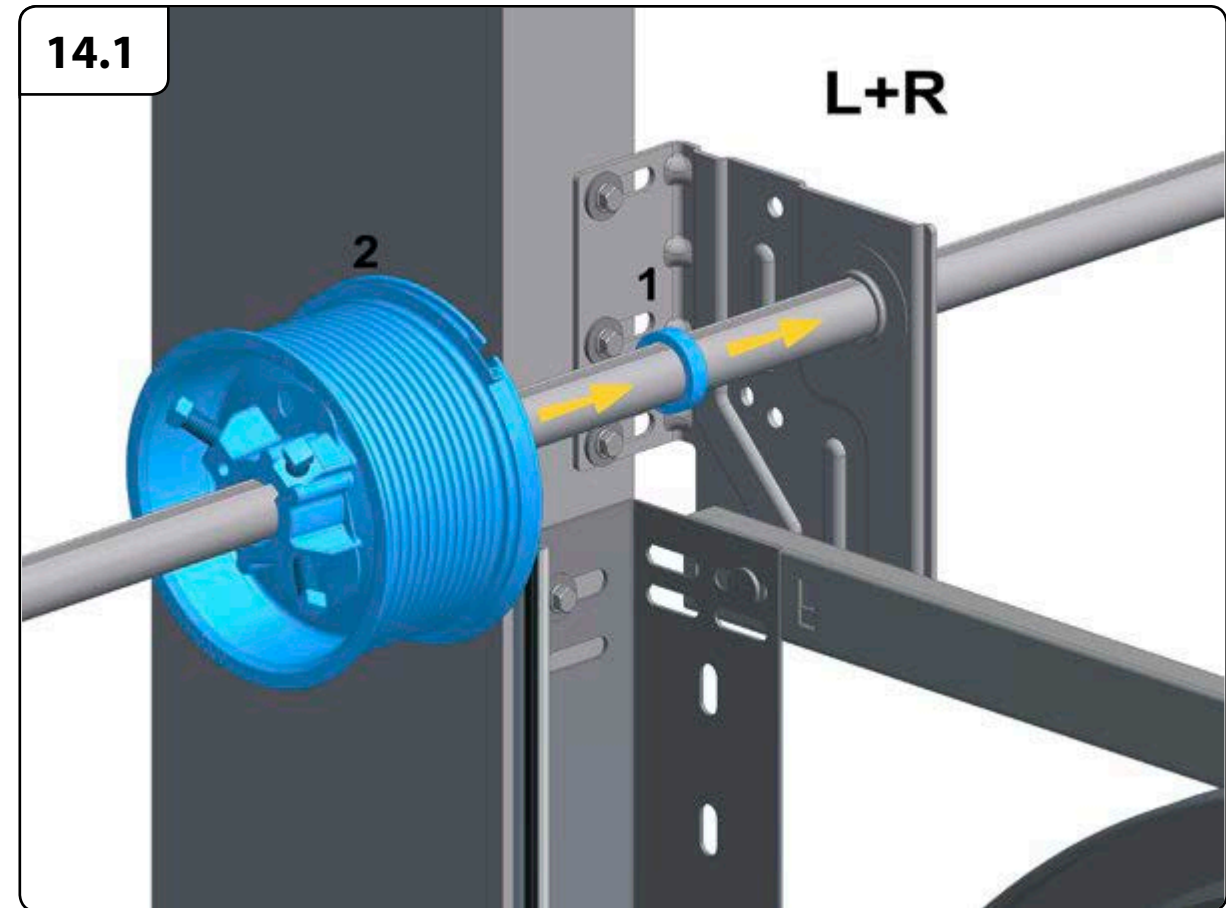


13.1

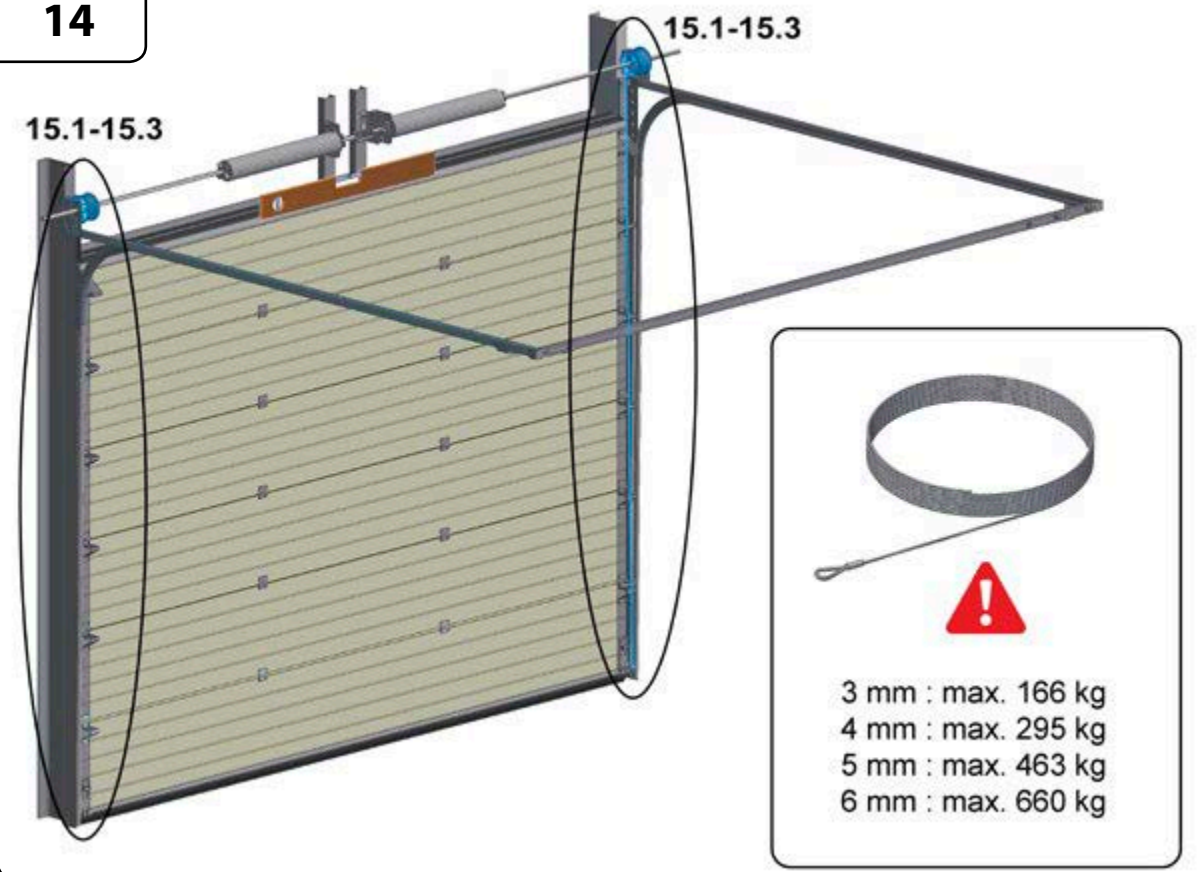


Set	L [mm]	P [mm]
Set 1	0 - 1000	L 40x40x2,5
Set 2	0 - 1300	L 50x50x3
Set 3	1301 - 2500	L 50x50x3

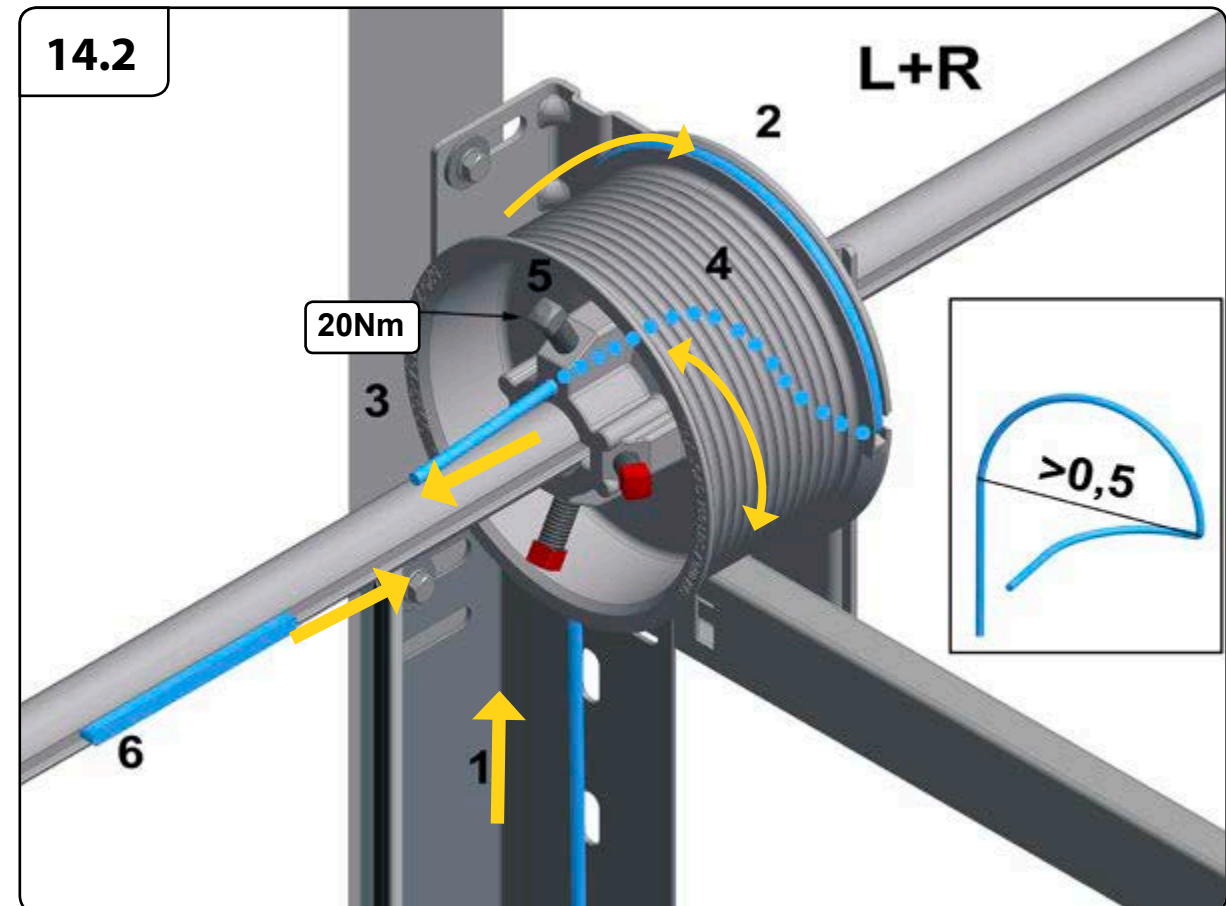
14.1

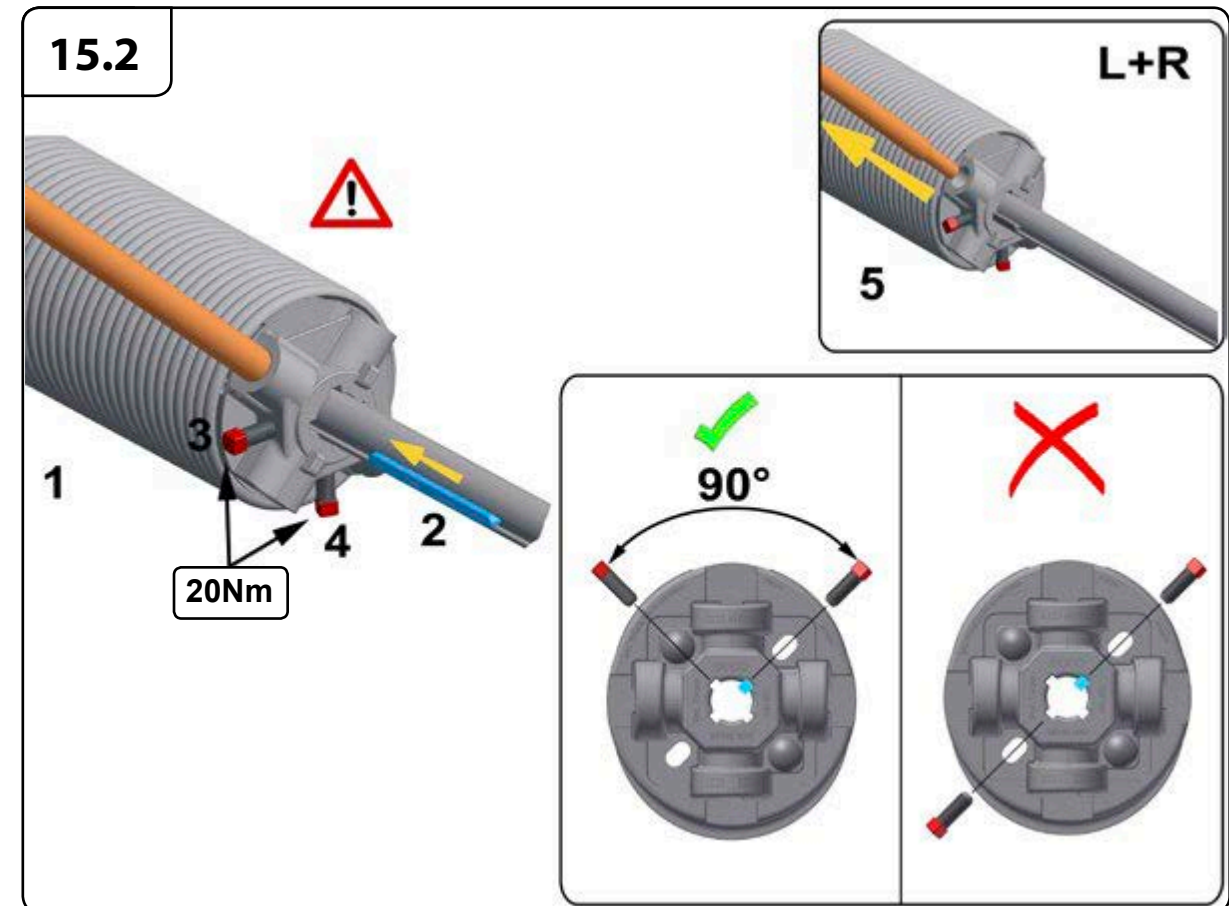
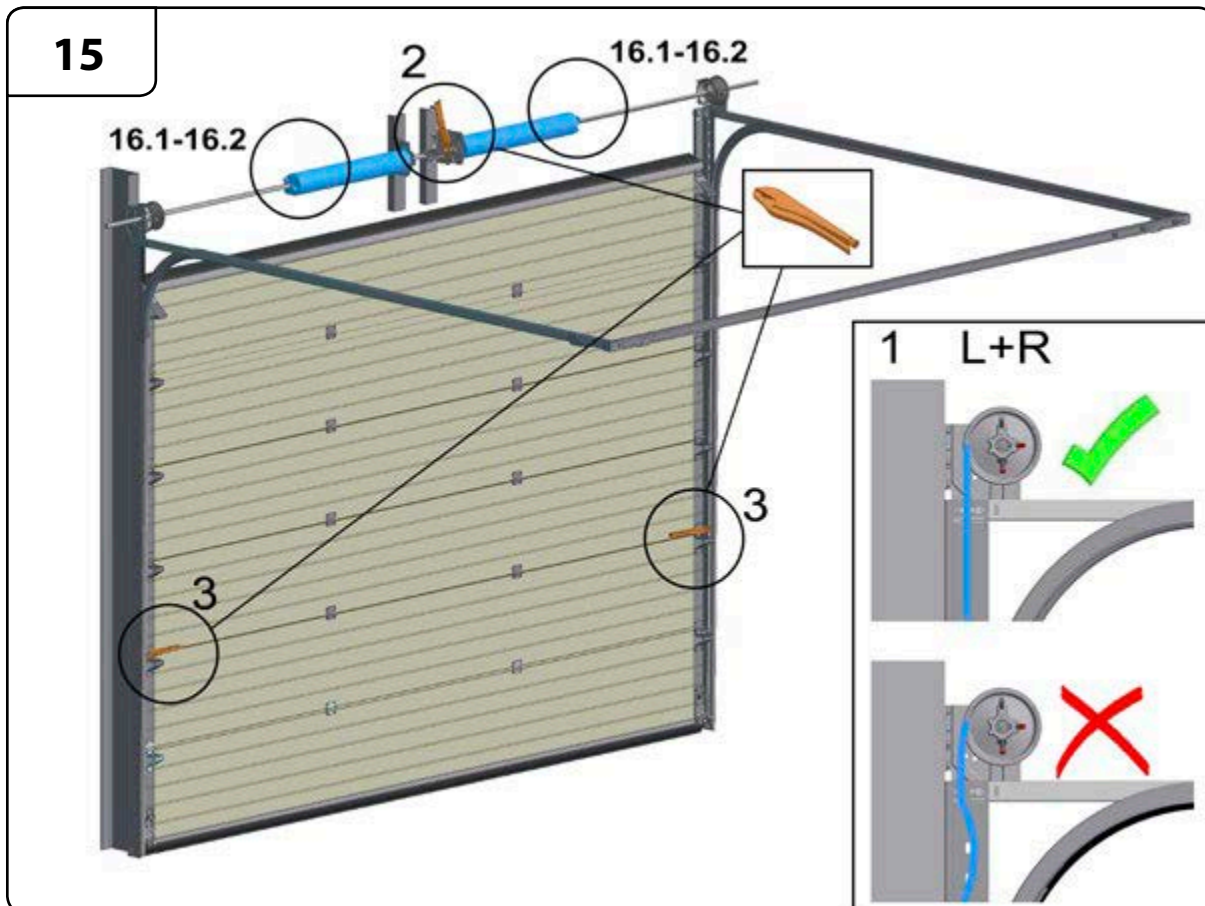
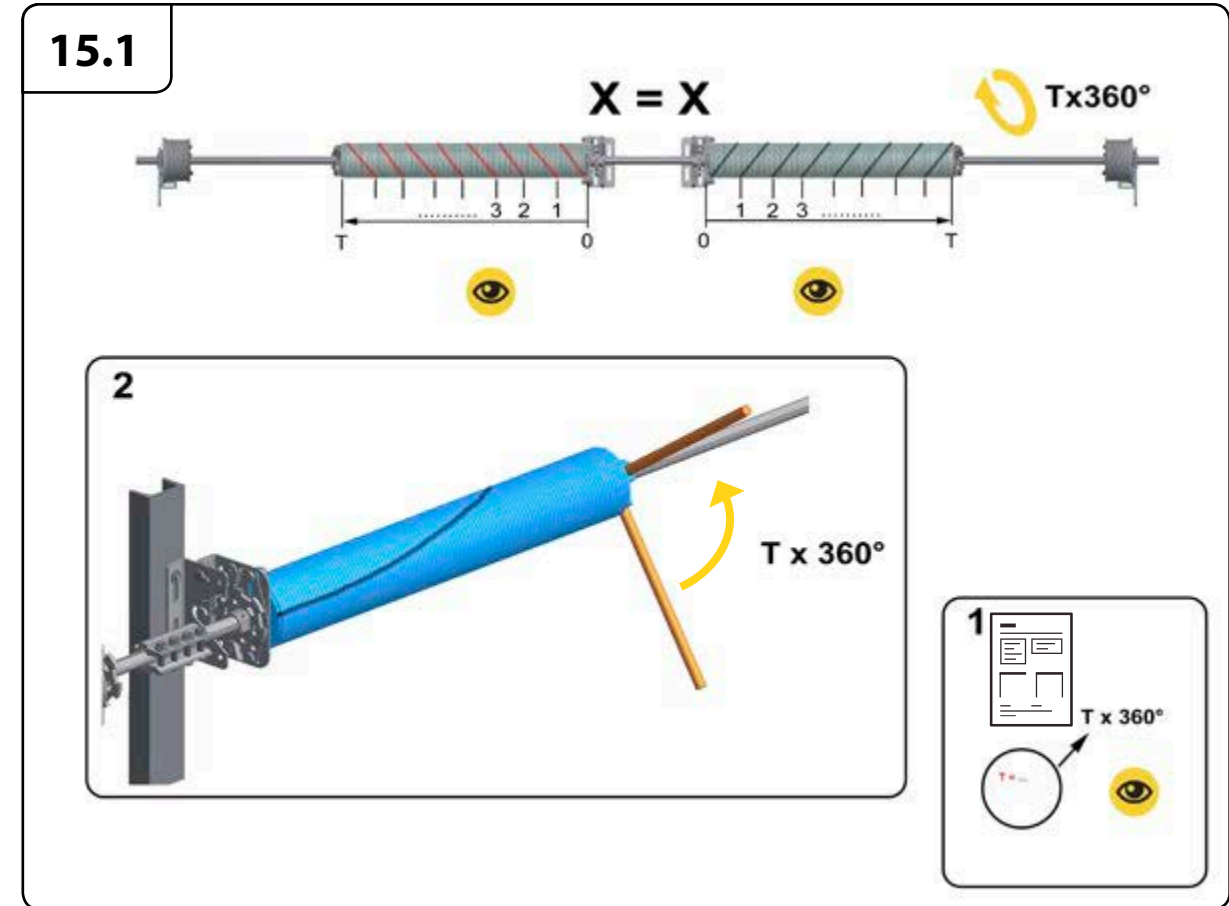
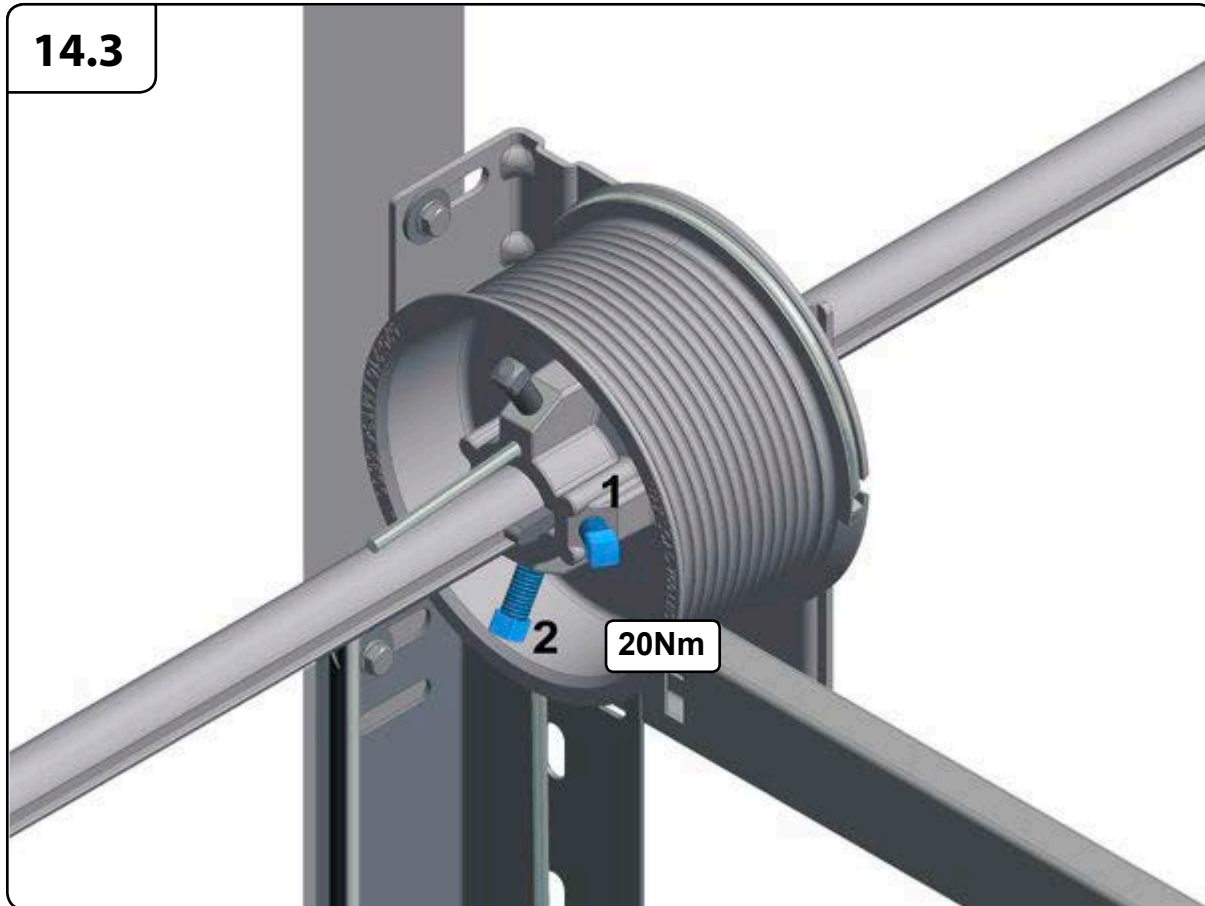


14

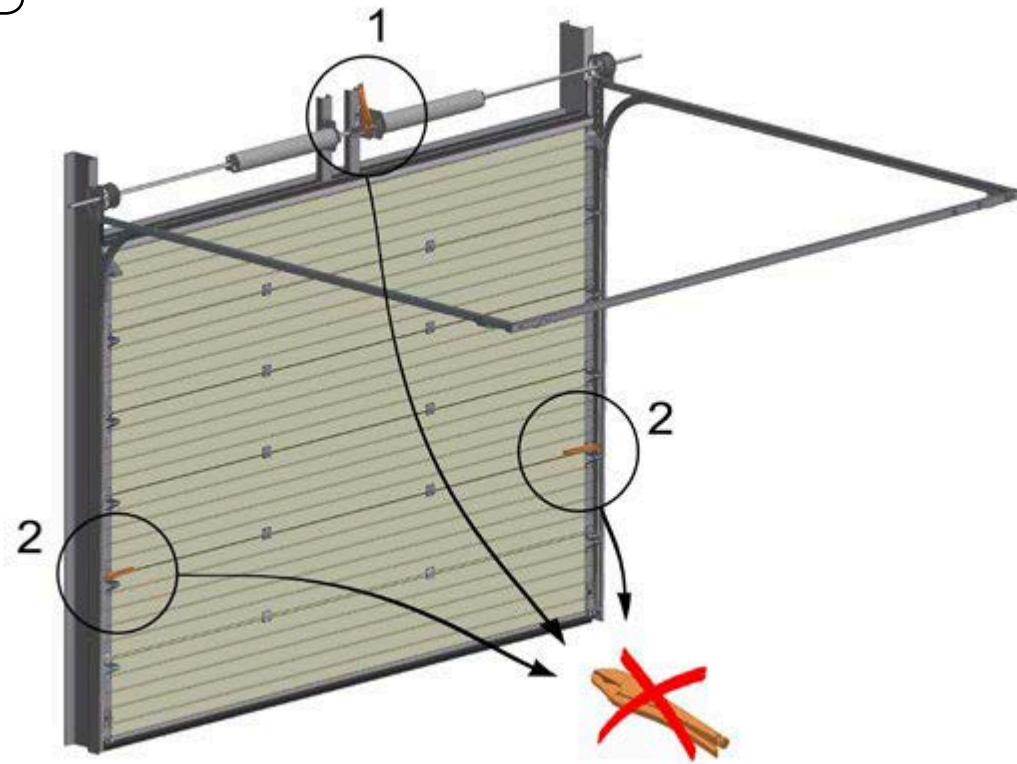


14.2

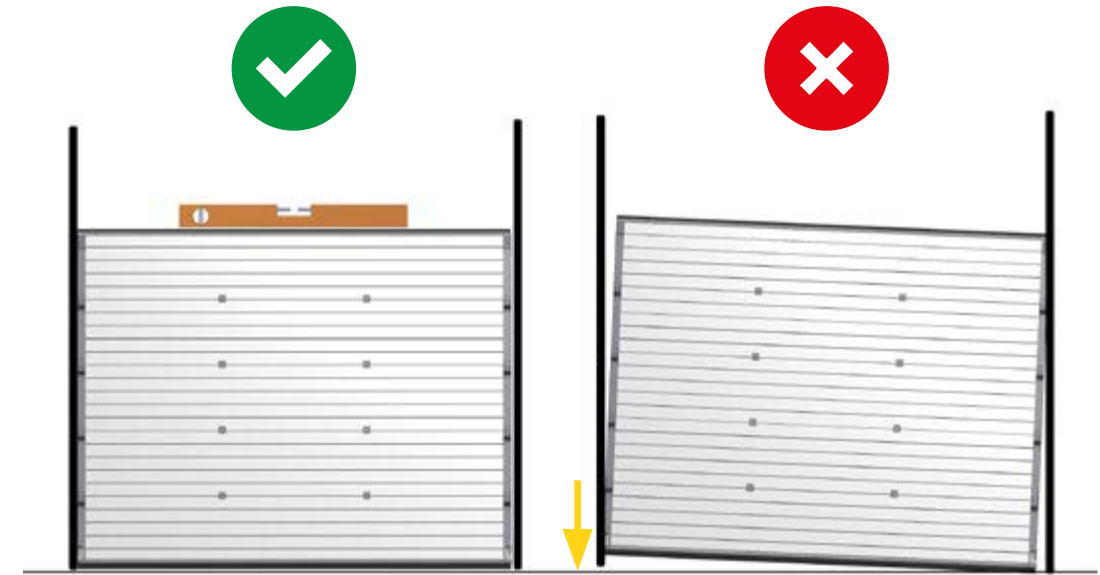




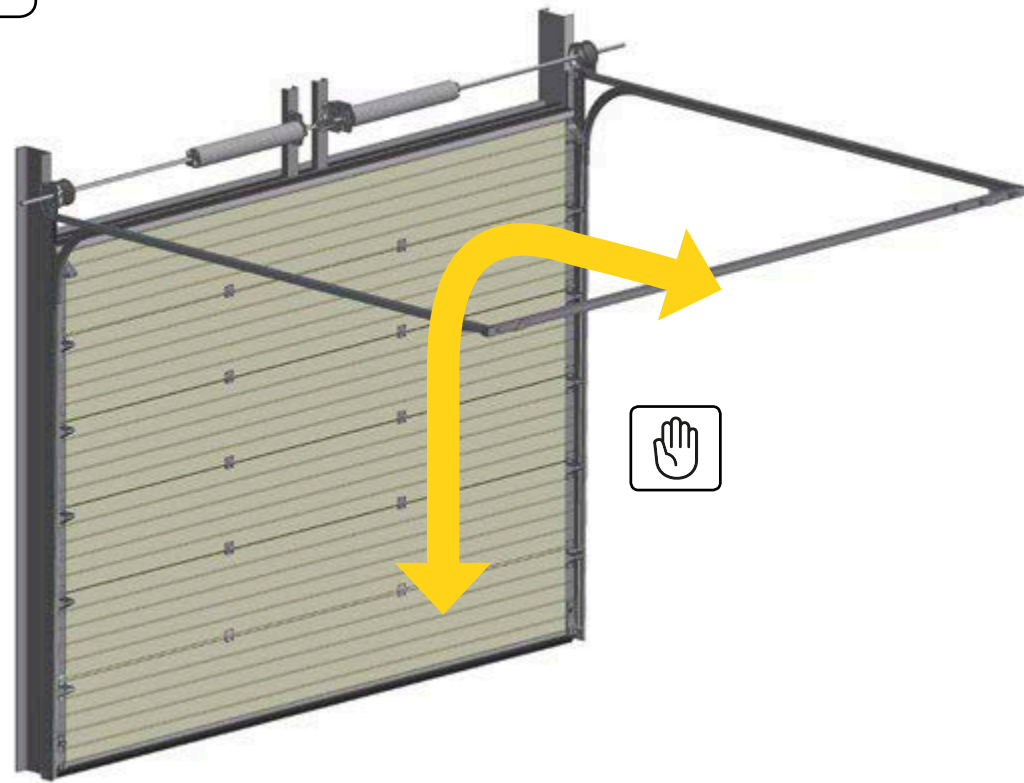
15.3



16.1

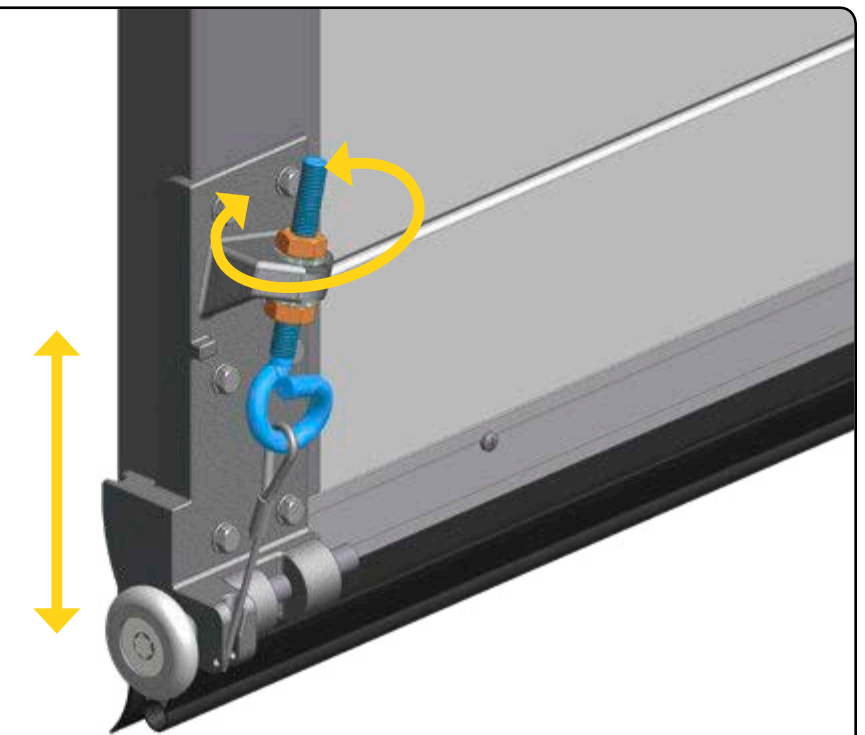


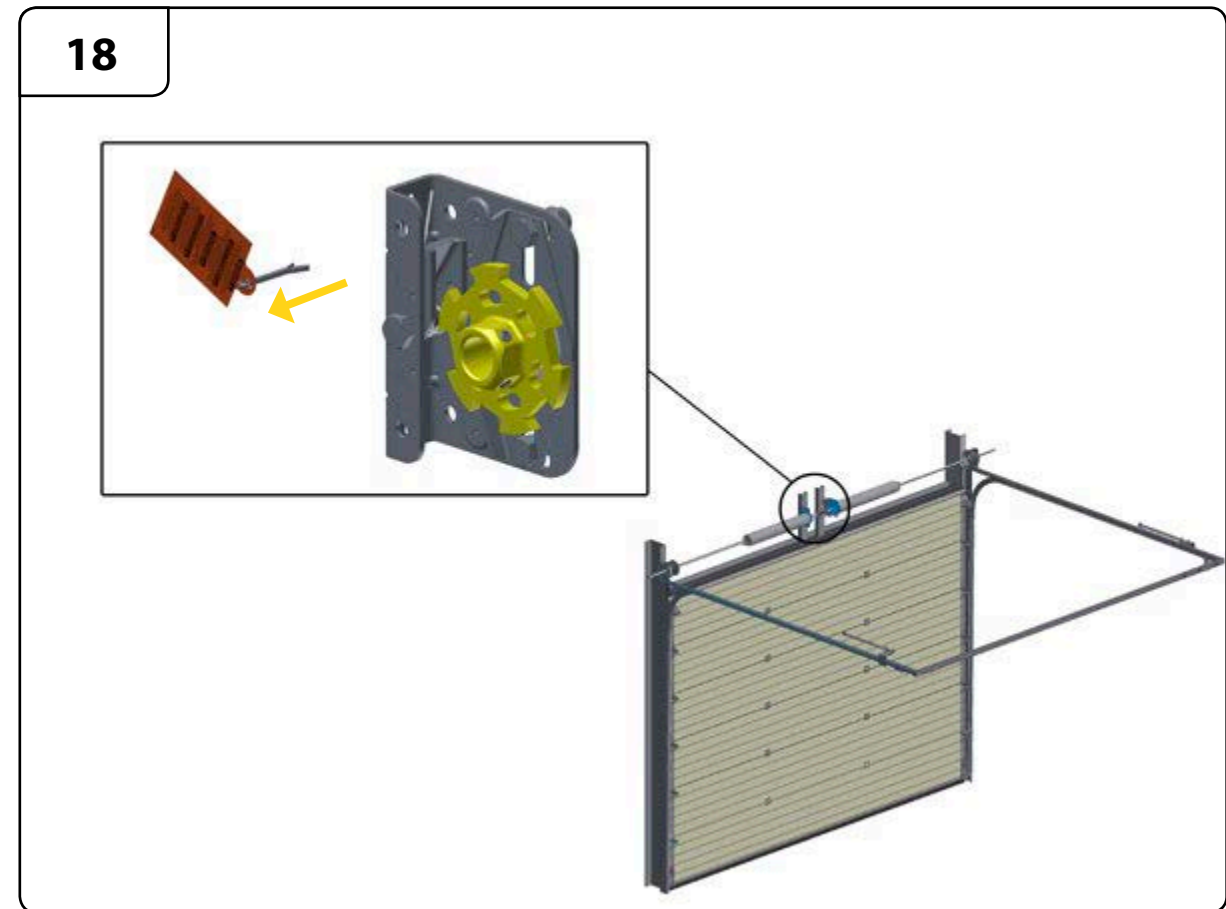
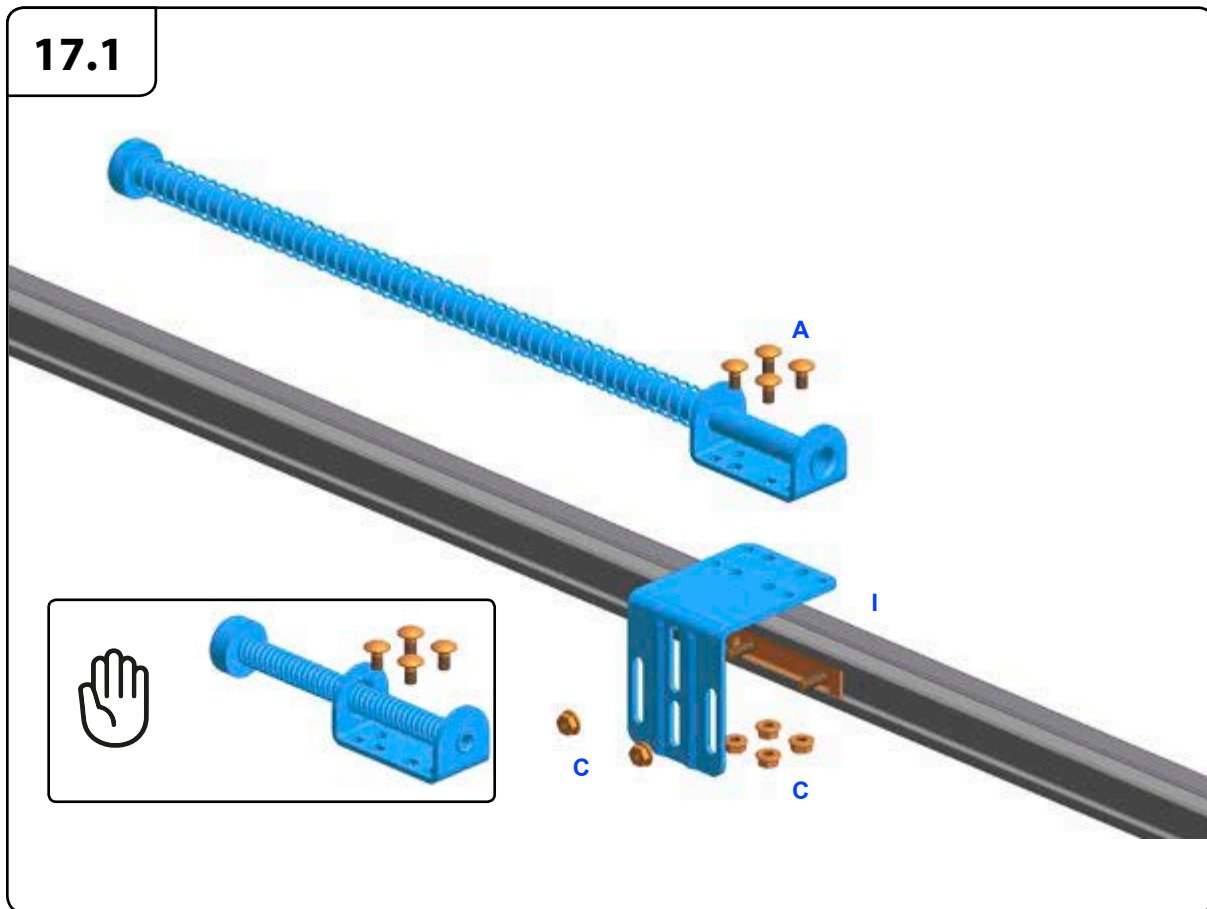
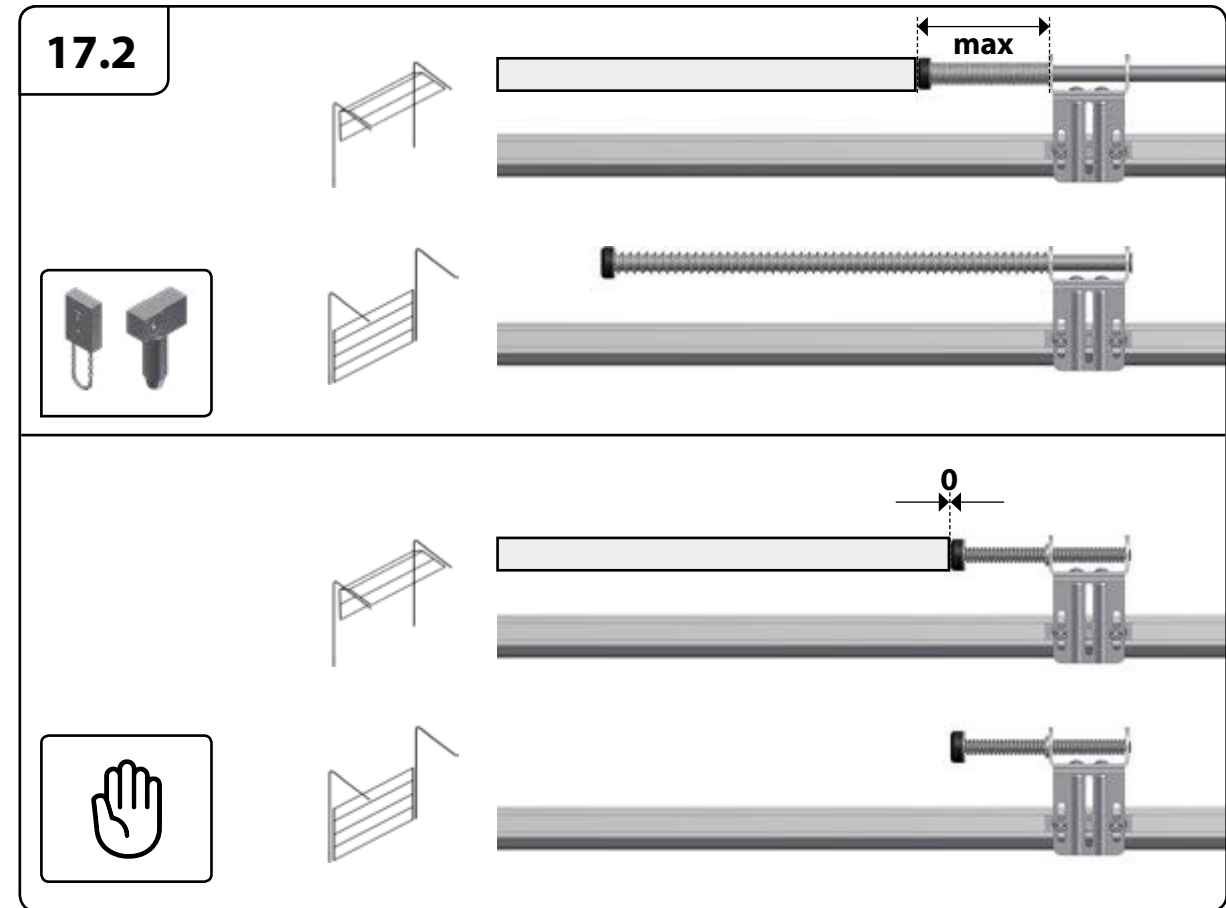
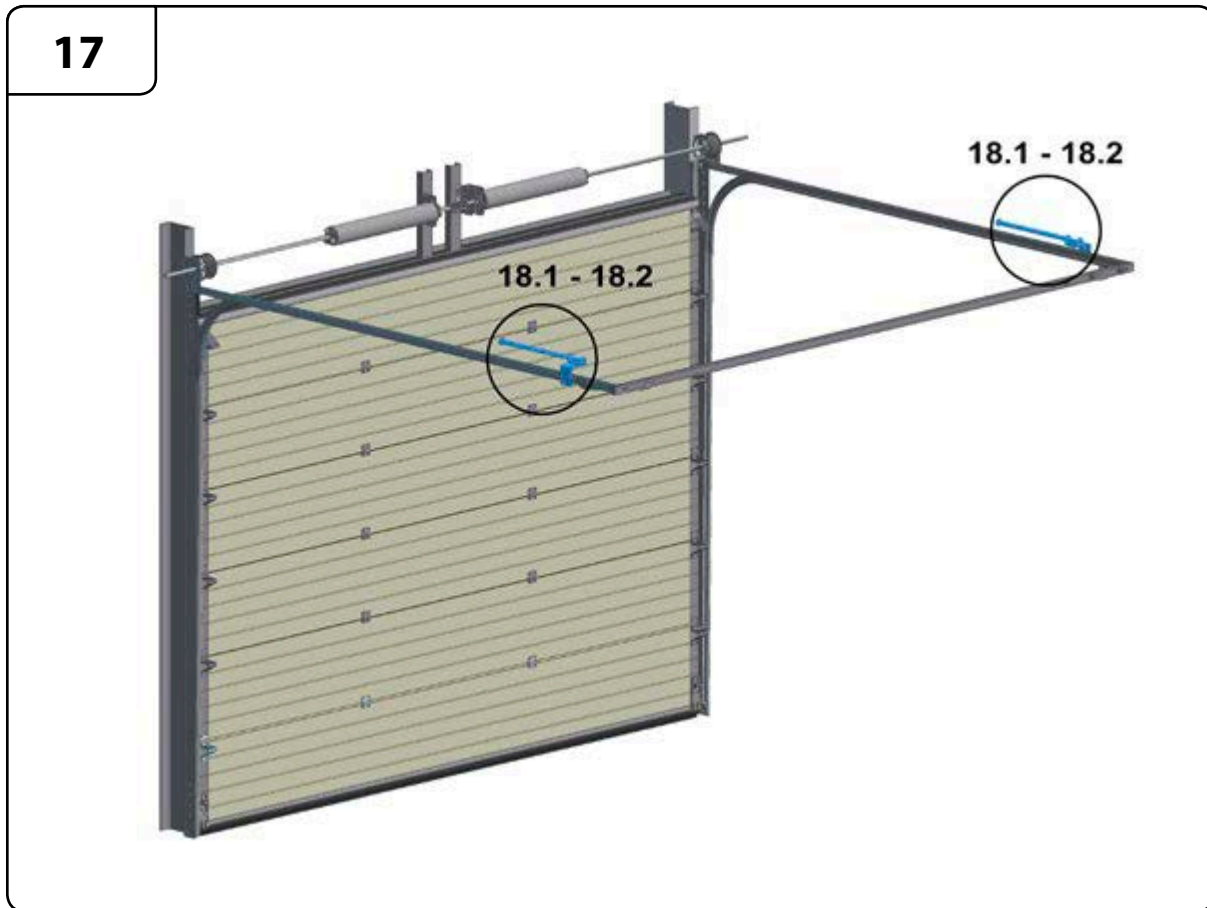
16

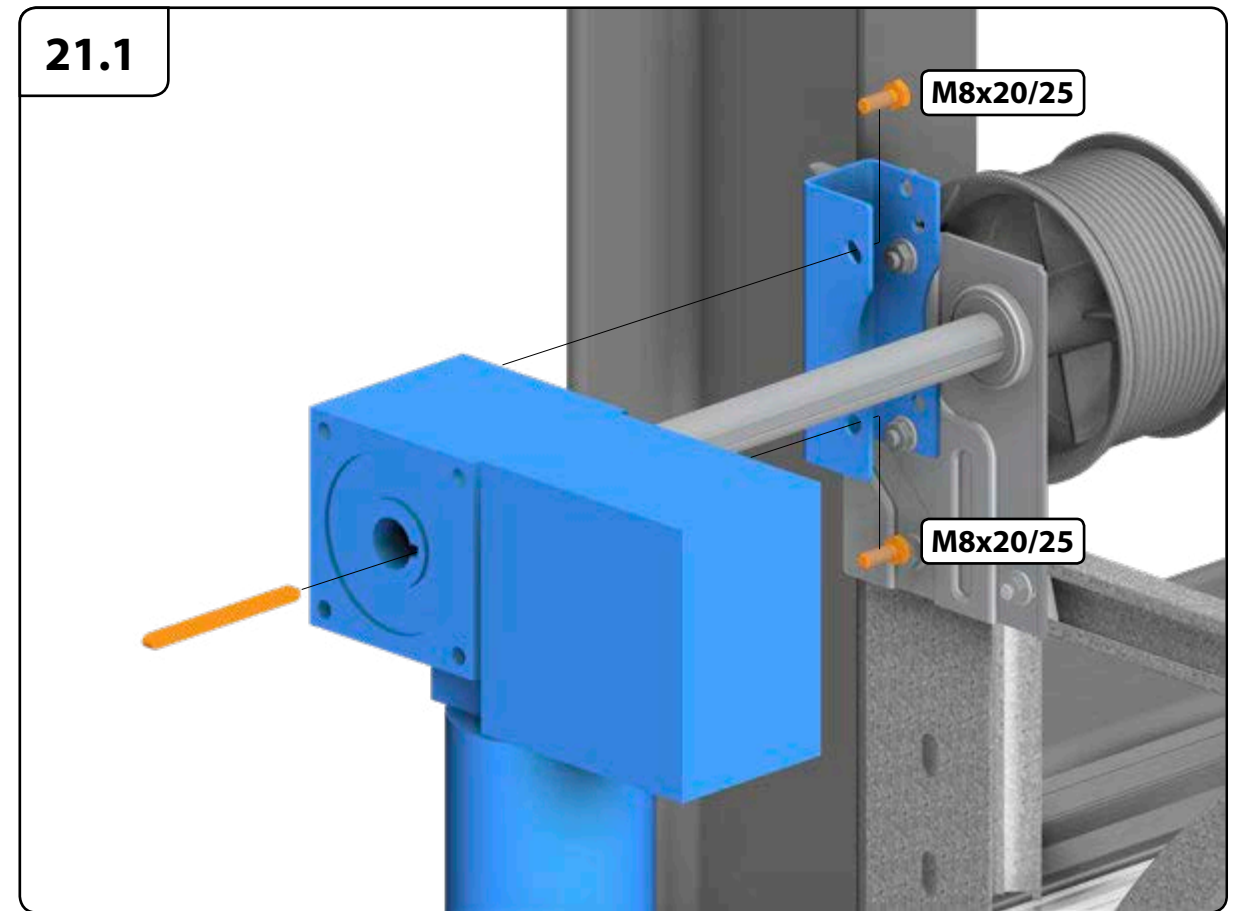
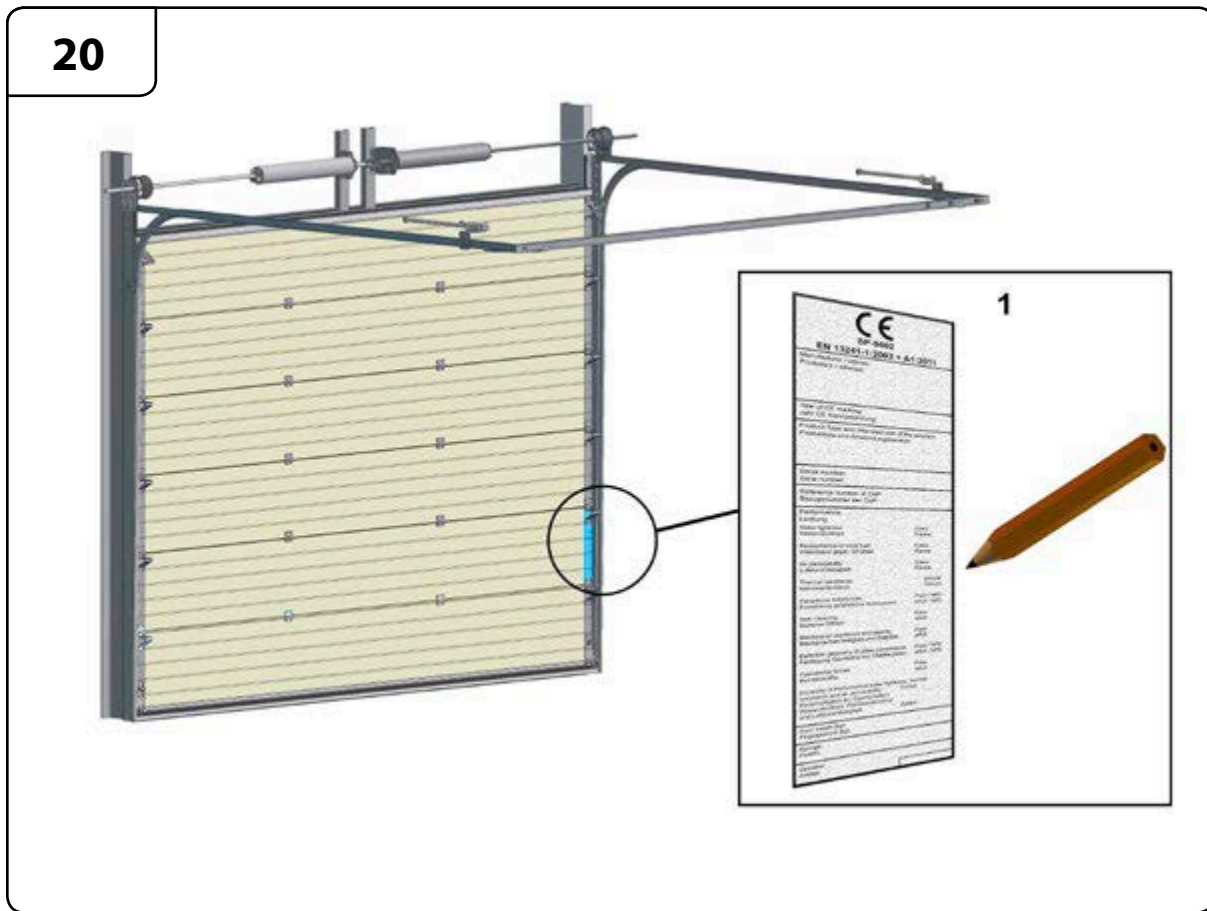
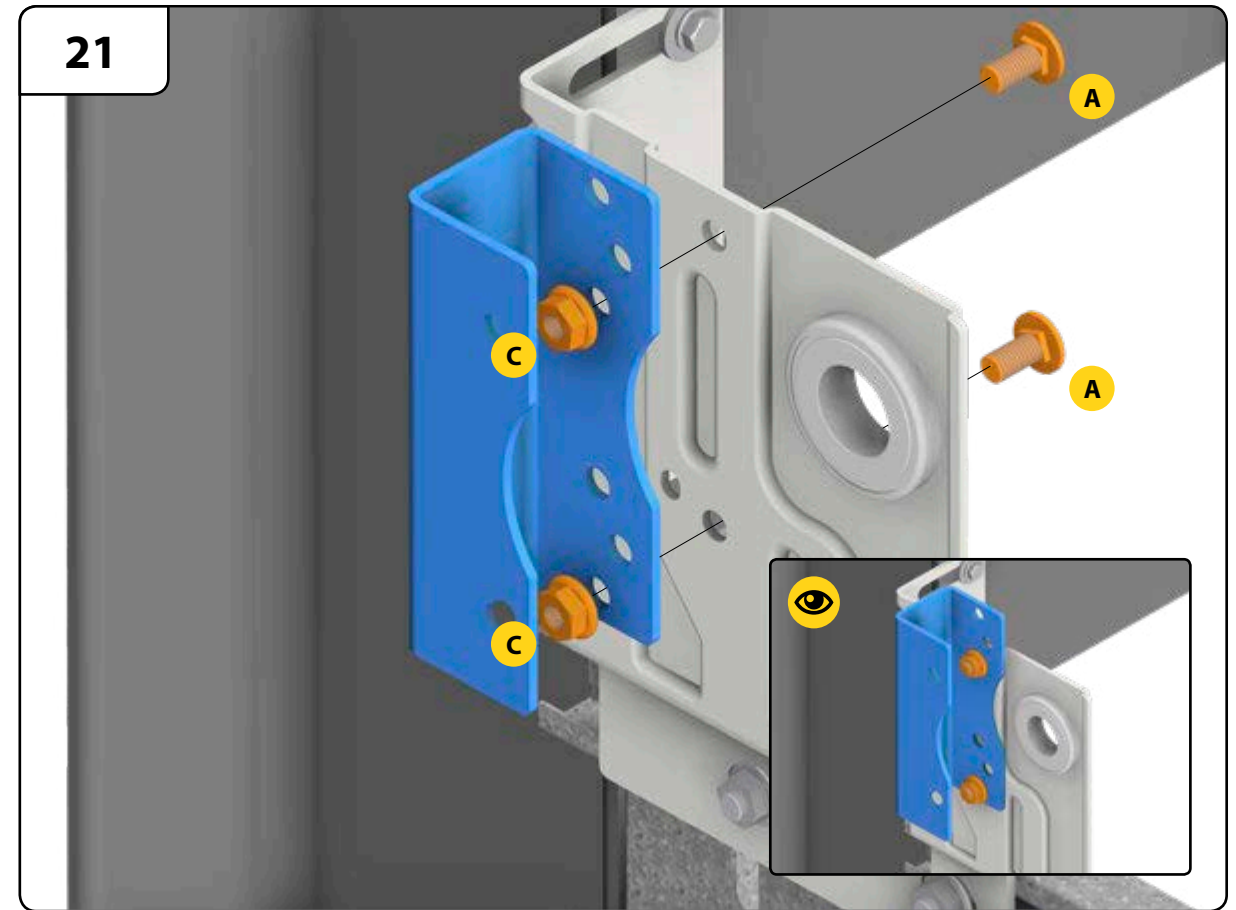
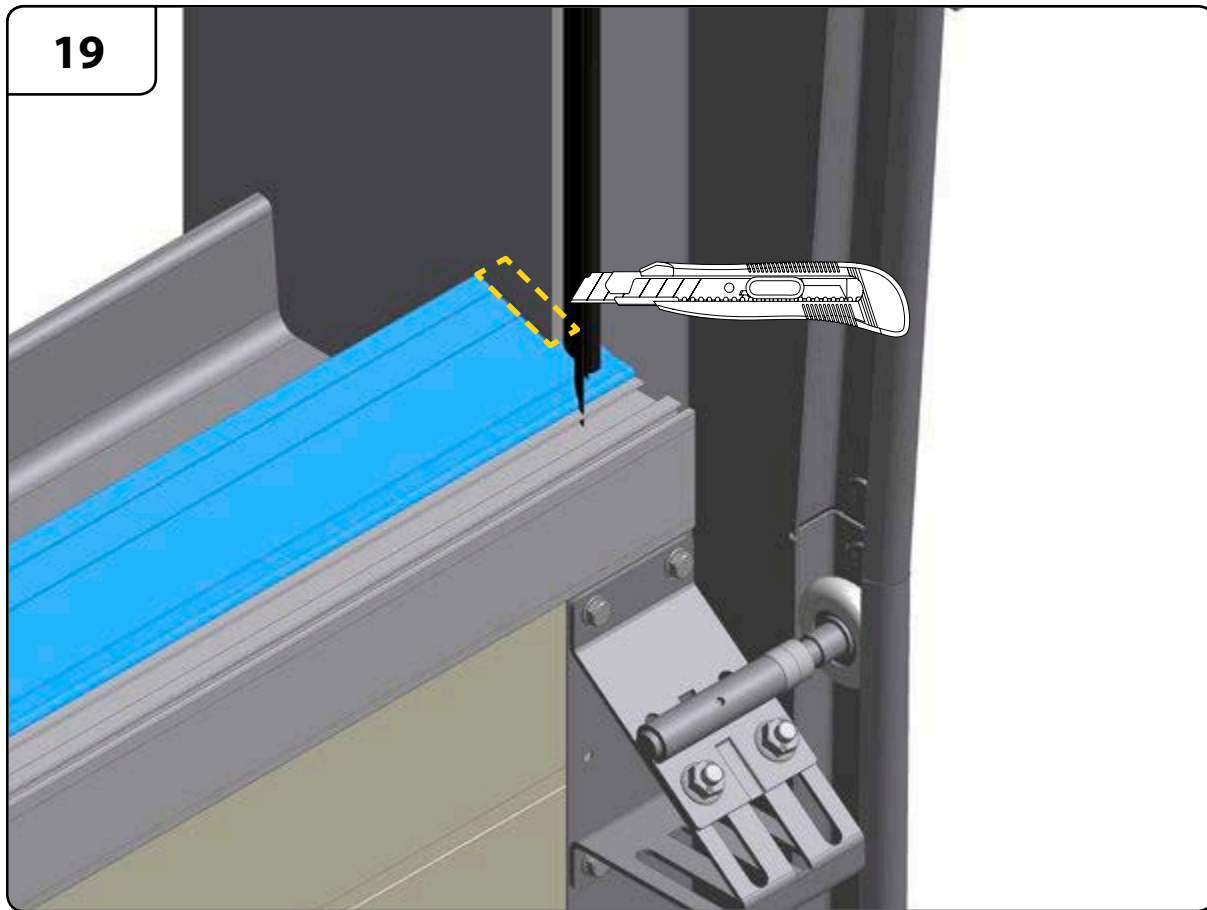


16.2

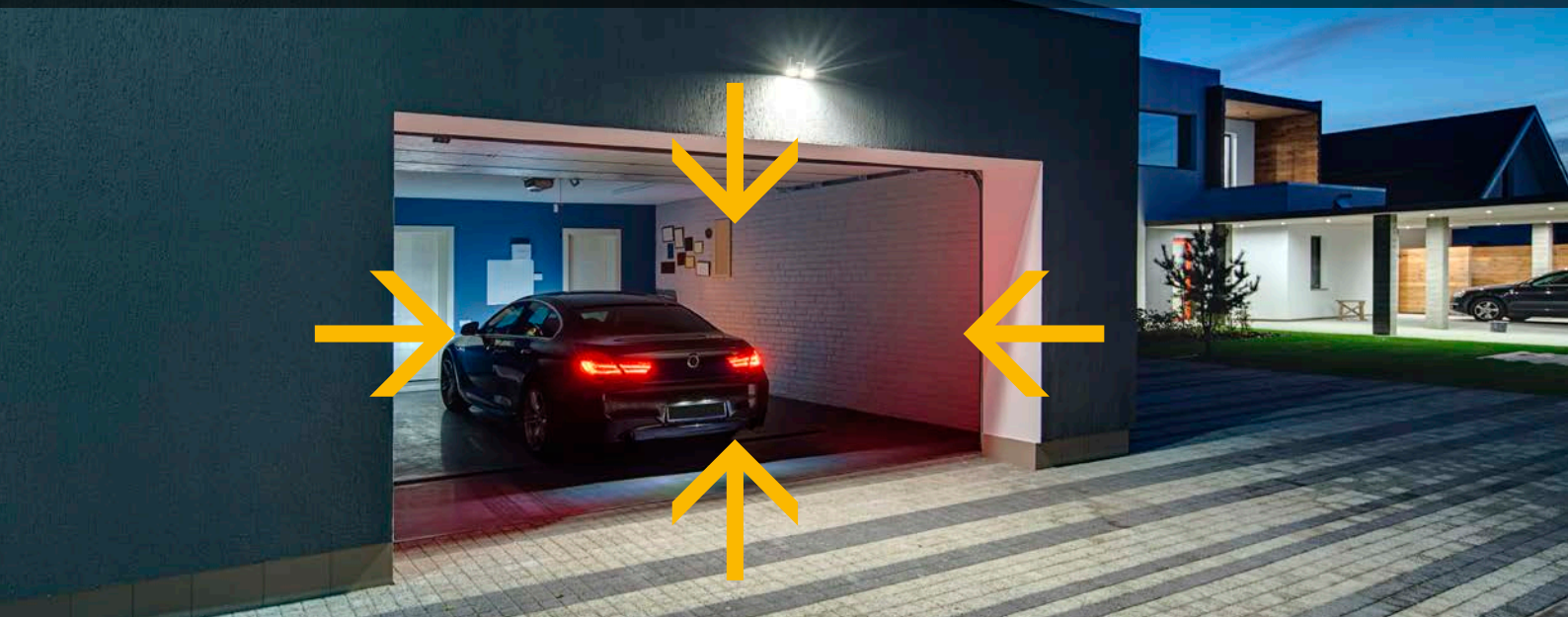
L+R







NA VRATECH ZÁLEŽÍ



JIMI TORE s.r.o.
Altýře 3285/1B
767 01 Kroměříž
Tel.: 573 335 480
Fax: 573 335 481
E-mail: info@jimi-tore.cz
www.jimi-tore.cz

TJIMI TORE

VÝROBA GARÁŽOVÝCH A PRŮMYSLOVÝCH VRAT